

MİMARİ KATALOG

ARCHITECTURAL CATALOGUE

Aluminyum Kapı Pencere ve Giydirme Cephe Sistemleri
Aluminium Window Doors and Facade Systems



Rescara Sistem
Profil Detayları

Rescara System
Profile Details



RESCARA SİSTEM

RESCARA SYSTEM

Aluminyum Kapı Pencere ve Giydirme Cephe Sistemleri
Aluminium Window Doors and Facade Systems

11



12

13

14

15

16

17

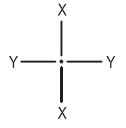
18

19

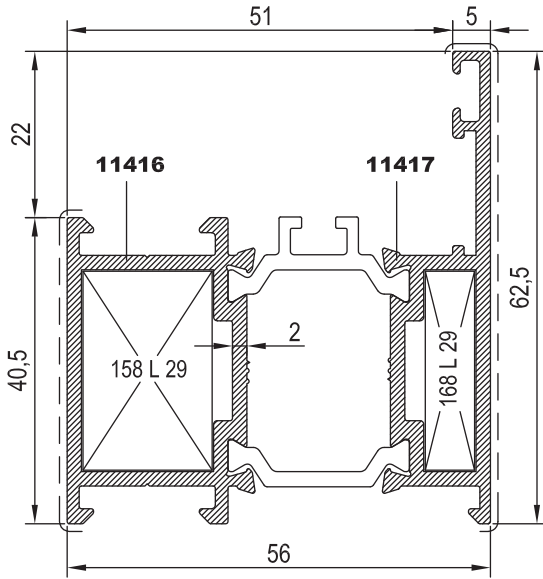
20



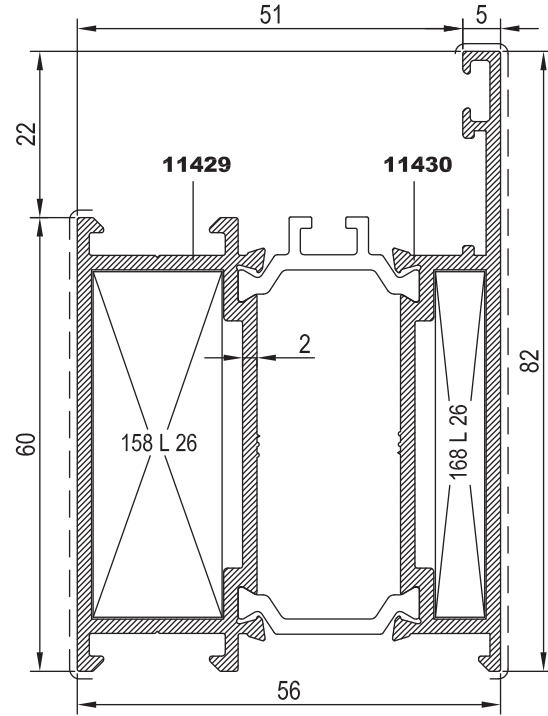
KOD / CODE	AĞIRLIK (kg/m) / WEIGHT	Jxx cm4	Jyy cm4	L m
ERD56 F 01	1,533	15,755	11,432	6
ERD56 F 02	1,936	20,510	29,170	6
ERD56 F 03	1,392	14,084	10,499	6



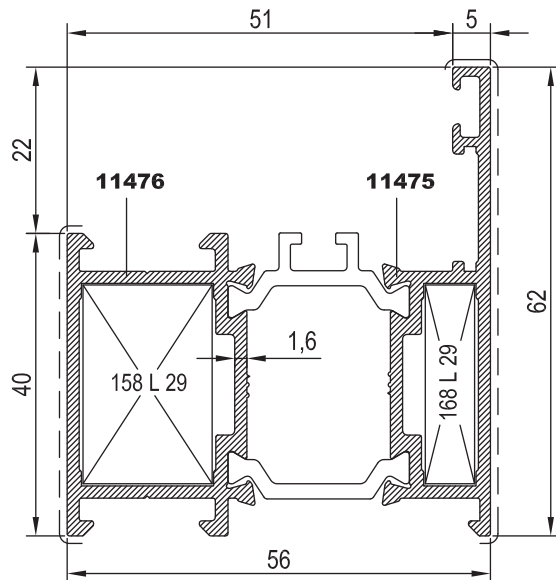
ERD56 F 01



ERD56 F 02



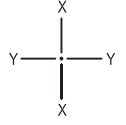
ERD56 F 03



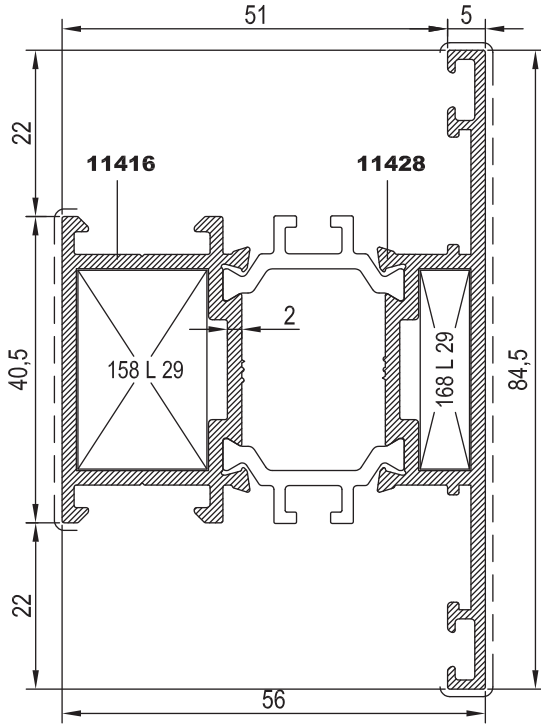
Nr		L m	KESİM ÖLÇÜSÜ CUTTING SIZE	AKS. KODU ACS. CODE
ERD56 F 01	11416	25 L 29 (10543)	17,0 mm	158 L 29
	11417	25 L 29 (10543)	6,4 mm	168 L 29
ERD56 F 02	11429	25 L 26 (10540)	17,0 mm	158 L 26
	11430	25 L 26 (10540)	6,4 mm	168 L 26
ERD56 F 03	11476	25 L 29 (10543)	17,0 mm	158 L 29
	11475	25 L 29 (10543)	6,4 mm	168 L 29



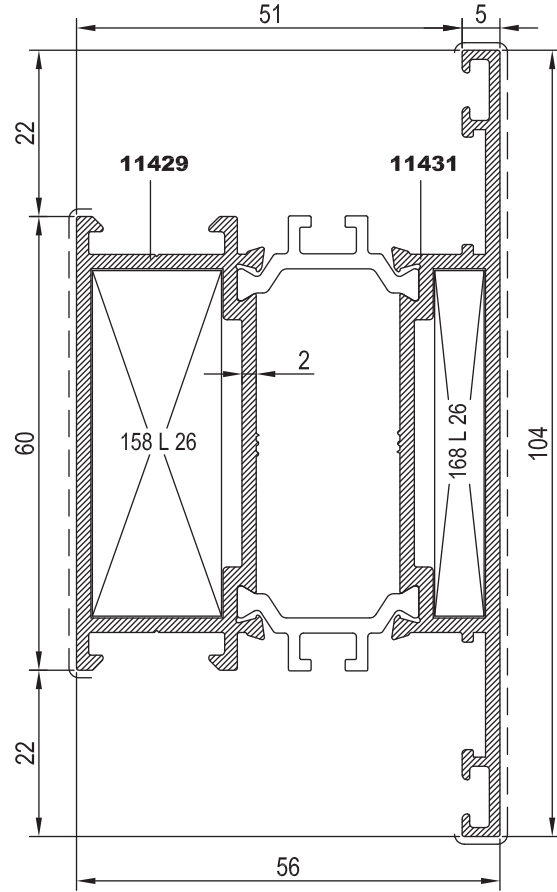
KOD / CODE	AĞIRLIK (kg/m) / WEIGHT	Jxx cm ⁴	Jyy cm ⁴	L m
ERD56 M 01	1,701	17,712	17,385	6
ERD56 M 02	2,103	22,523	39,007	6
ERD56 M 03	1,784	18,824	17,774	6



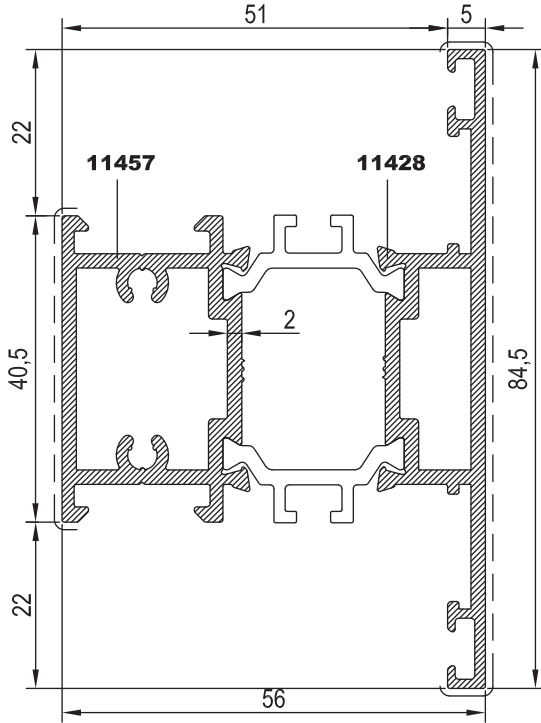
ERD56 M 01



ERD56 M 02



ERD56 M 03

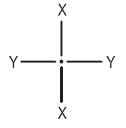


Nr		L m	KESİM ÖLÇÜSÜ CUTTING SIZE	AKS. KODU ACS. CODE
ERD56 M 01	11416	25 J 31 (11438)	26,2 mm	240 J 31
	11428	25 J 32 (11439)	26,2 mm	240 J 32
ERD56 M 02	11429	25 J 31 (11438)	45,7 mm	304 J 31
	11431	25 J 32 (11439)	45,7 mm	304 J 32

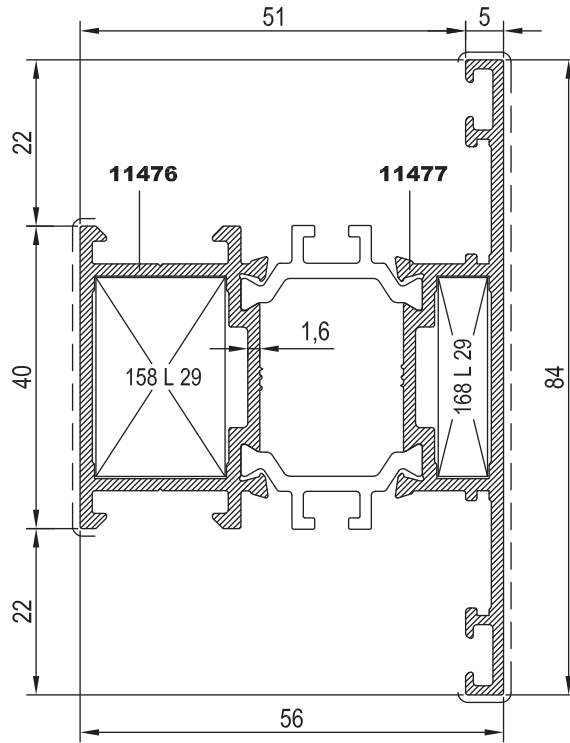
Nr		L m	KESİM ÖLÇÜSÜ CUTTING SIZE	AKS. KODU ACS. CODE
ERD56 M 01	11416	25 L 29 (10543)	12,0 mm	158 L 29
	11428	25 L 29 (10543)	6,4 mm	168 L 29
ERD56 M 02	11429	25 L 26 (10540)	12,0 mm	158 L 26
	11431	25 L 26 (10540)	6,4 mm	168 L 26





KOD / CODE	AĞIRLIK (kg/m) / WEIGHT	Jxx cm4	Jyy cm4	L m
ERD56 M 04	1,550	15,867	16,111	6



ERD56 M 04

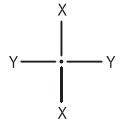


Nr			KESİM ÖLÇÜSÜ CUTTING SIZE	AKS. KODU ACS. CODE
ERD56 M 04	11476	25 J 31 (11438)	26,2 mm	240 J 31
	11477	25 J 32 (11439)	26,2 mm	240 J 32

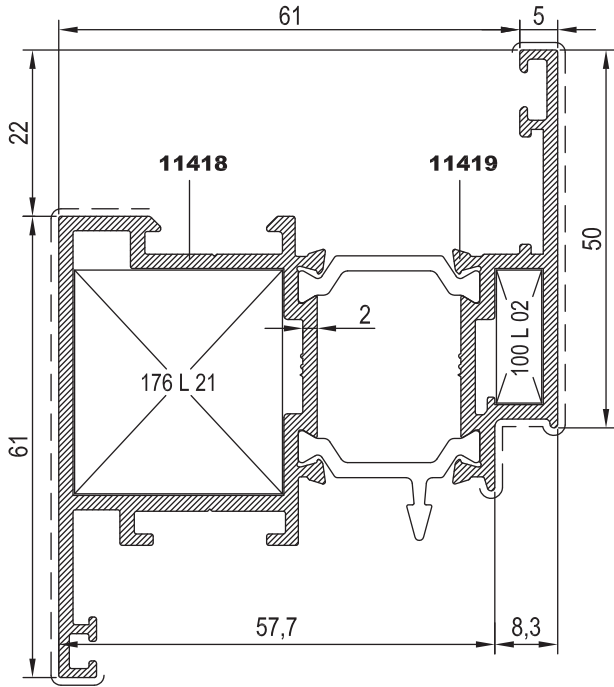
Nr			KESİM ÖLÇÜSÜ CUTTING SIZE	AKS. KODU ACS. CODE
ERD56 M 04	11476	25 L 29 (10543)	12,0 mm	158 L 29
	11477	25 L 29 (10543)	6,4 mm	168 L 29



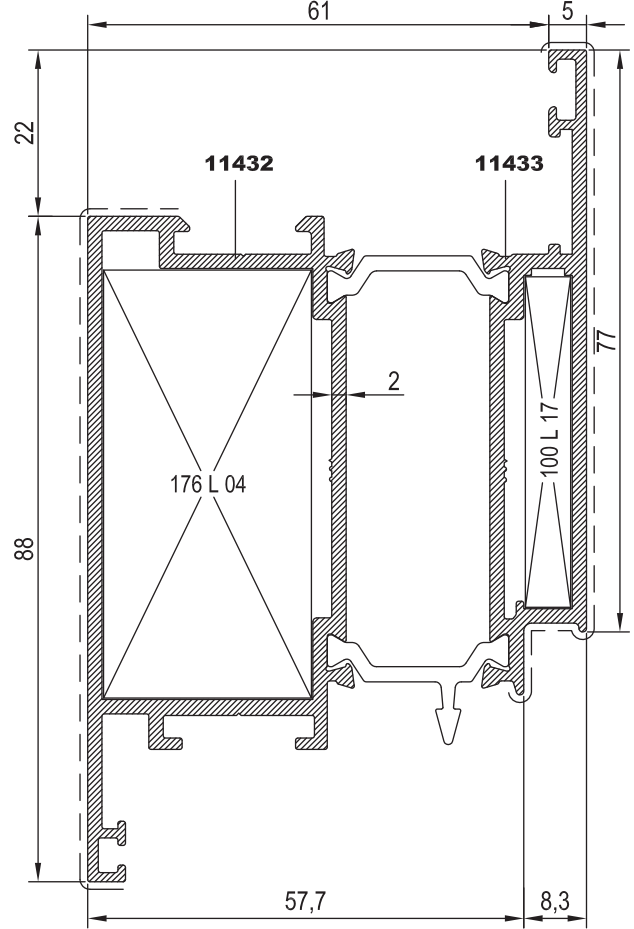
KOD / CODE	AĞIRLIK (kg/m) / WEIGHT	Jxx cm4	Jyy cm4	L m
ERD56 V 01	1,782	25,868	18,869	6
ERD56 V 02	2,343	35,610	55,159	6
ERD56 V 03	2,554	36,428	67,629	6



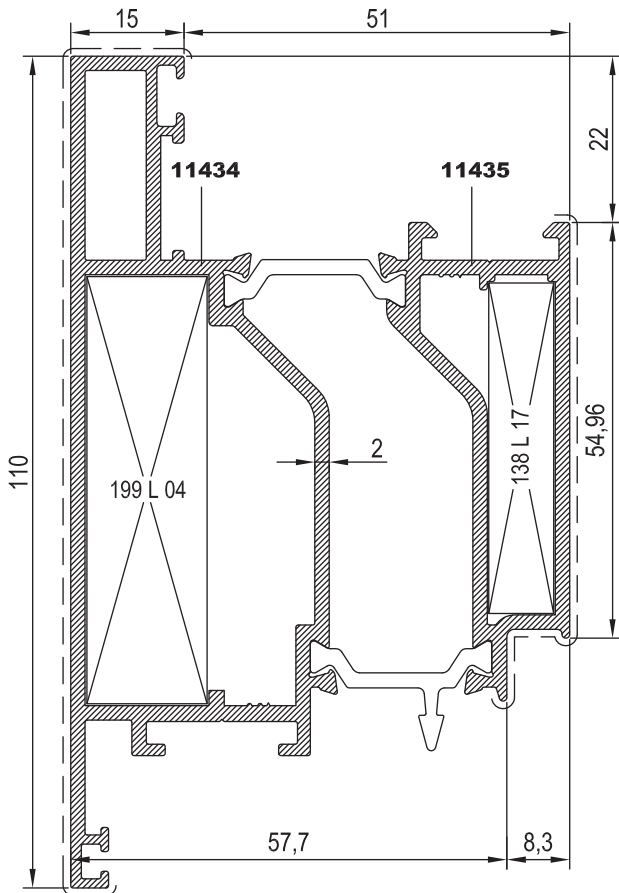
ERD56 V 01



ERD56 V 02



ERD56 V 03



Nr



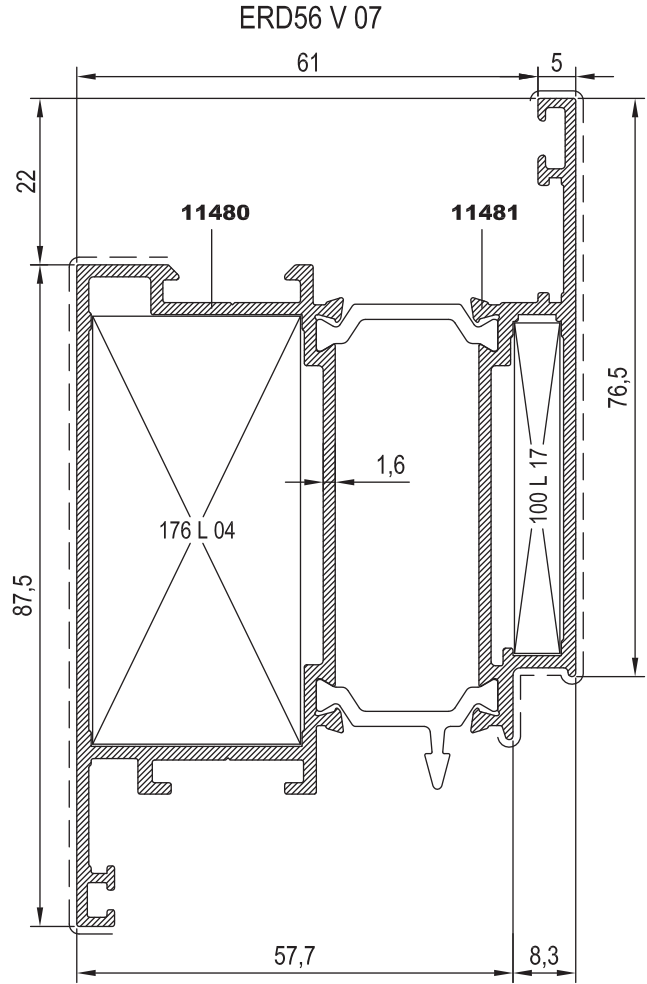
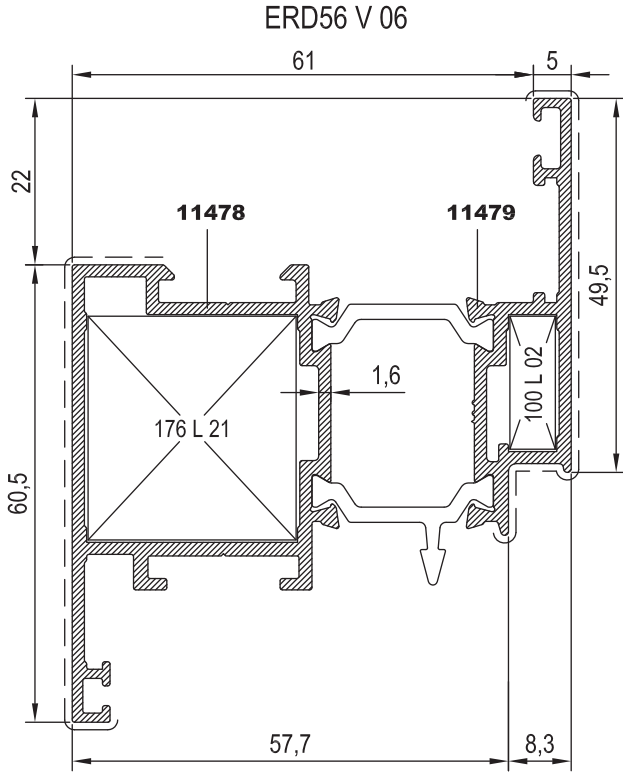
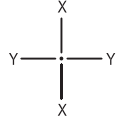
KESİM ÖLÇÜSÜ
CUTTING SIZE


AKS. KODU
ACS. CODE

ERD56 V 01	11418	25 L 21 (2167)	27,5 mm	176 L 21
	11419	25 L 02 (2020)	6,0 mm	100 L 02
ERD56 V 02	11432	25 L 04 (2211)	27,5 mm	176 L 04
	11433	25 L 17 (2062)	6,0 mm	100 L 17
ERD56 V 03	11434	25 L 04 (2211)	16,0 mm	199 L 04
	11435	25 L 17 (2062)	8,6 mm	138 L 17



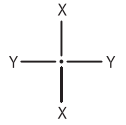
KOD / CODE	AĞIRLIK (kg/m) / WEIGHT	Jxx cm4	Jyy cm4	L m
ERD56 V 06	1,617	23,204	17,366	6
ERD56 V 07	2,089	31,430	50,130	6



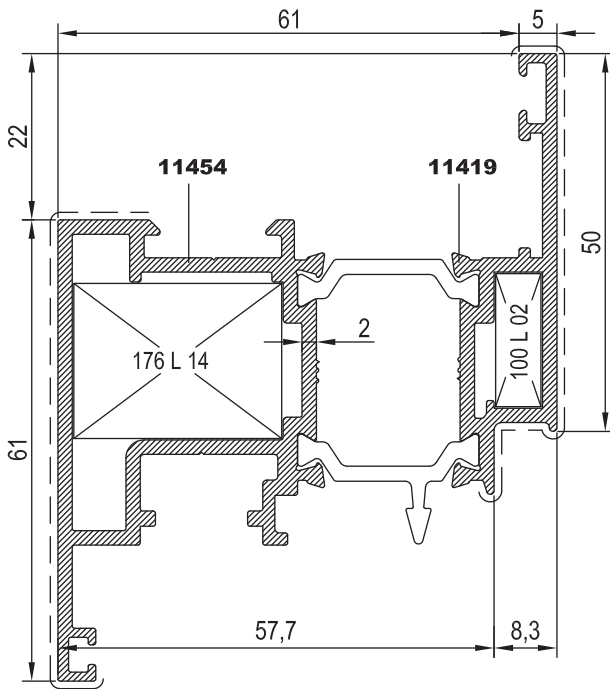
Nr		L m	KESİM ÖLÇÜSÜ CUTTING SIZE	AKS. KODU ACS. CODE
ERD56 V 06	11478	25 L 21 (2167)	27,5 mm	176 L 21
	11479	25 L 02 (2020)	6,0 mm	100 L 02
ERD56 V 07	11480	25 L 04 (2211)	27,5 mm	176 L 04
	11481	25 L 17 (2062)	6,0 mm	100 L 17



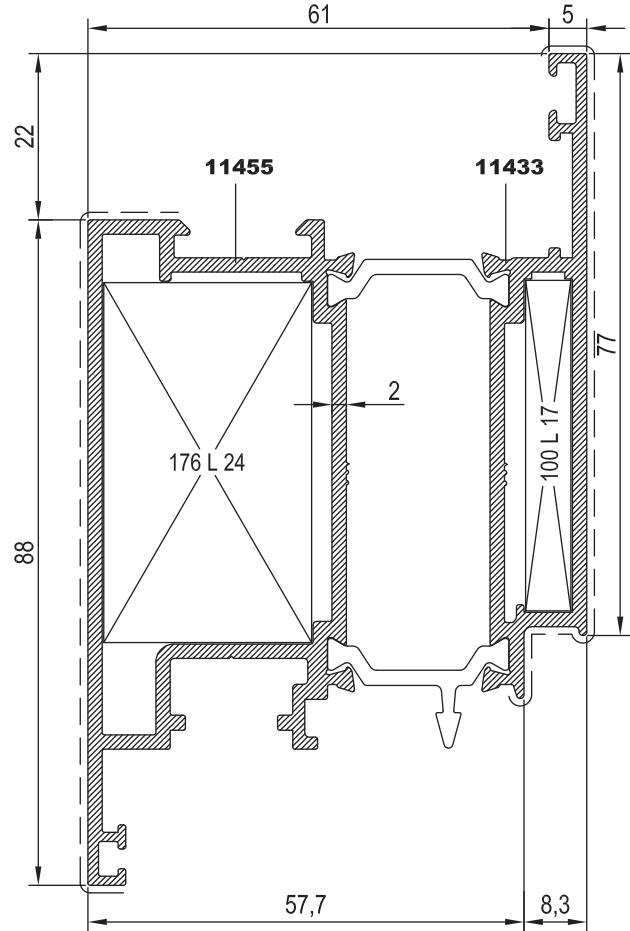
KOD / CODE	AĞIRLIK (kg/m) / WEIGHT	Jxx cm4	Jyy cm4	L m
ERD56 V 04	1,782	26,337	18,559	6
ERD56 V 05	2,343	36,227	55,537	6



ERD56 V 04



ERD56 V 05



Nr



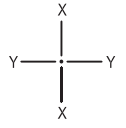
KESİM ÖLÇÜSÜ
CUTTING SIZE



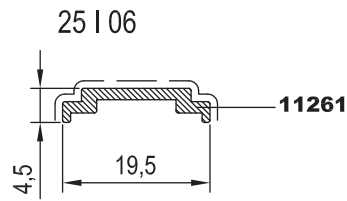
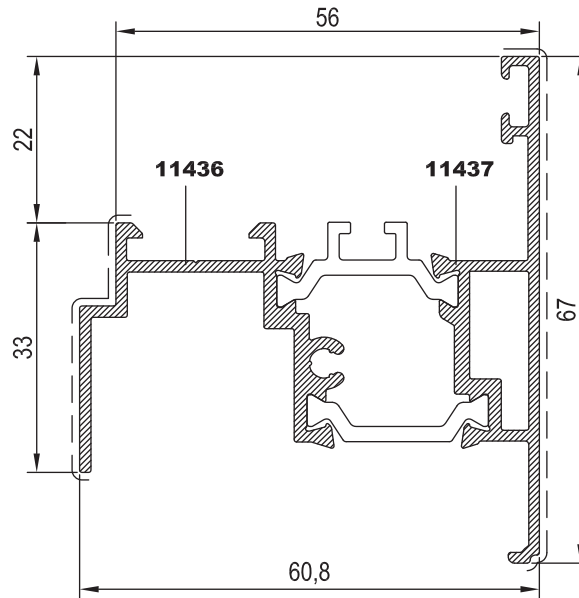
ERD56 V 04	11454	25 L 14 (2059)	27,5 mm	176 L 14
	11419	25 L 02 (2020)	6,0 mm	100 L 02
ERD56 V 05	11455	25 L 24 (2170)	27,5 mm	176 L 24
	11433	25 L 17 (2062)	6,0 mm	100 L 17



KOD / CODE	AĞIRLIK (kg/m) / WEIGHT	Jxx cm4	Jyy cm4	L m
ERD56 A 01 25 I 06	1,235 0,104	12,701 ----	7,133 ----	6 6



ERD56 A 01



11

12

13

14

15

16

17

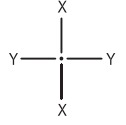
18

19

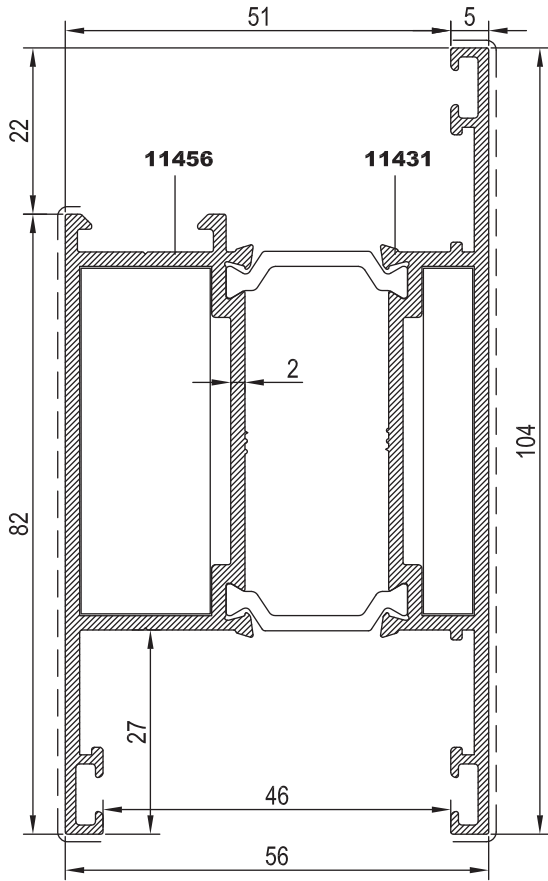
20



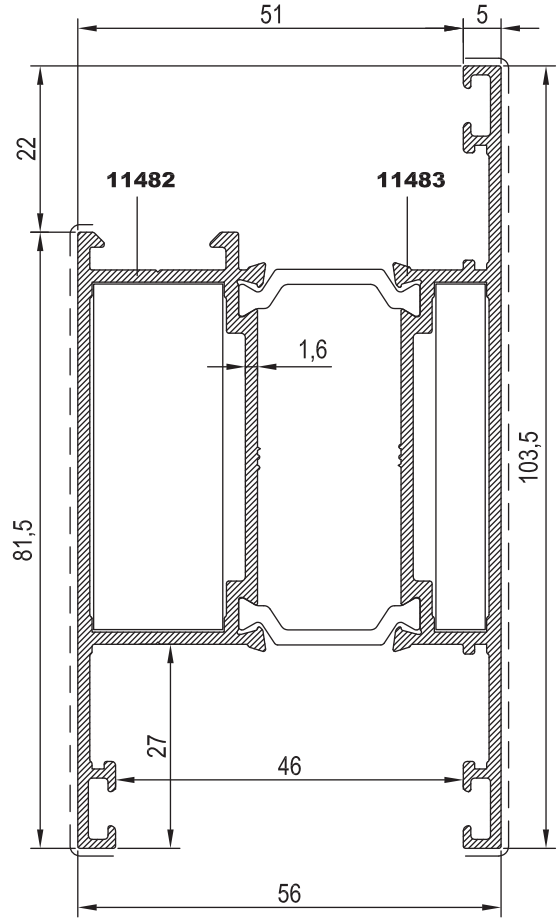
KOD / CODE	AĞIRLIK (kg/m) / WEIGHT	Jxx cm4	Jyy cm4	L m
ERD56 K 01	2,155	25,736	46,538	6
ERD56 K 02	0,898	-----	-----	6
ERD56 K 03	1,977	22,890	42,747	6
T64 A 19	0,381	-----	-----	6



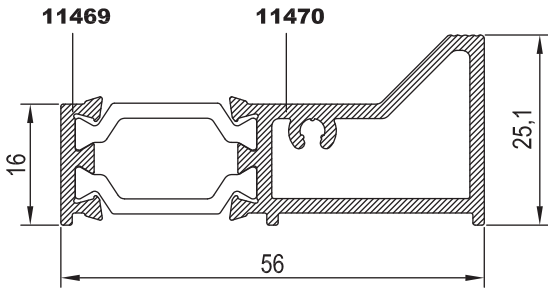
ERD56 K 01



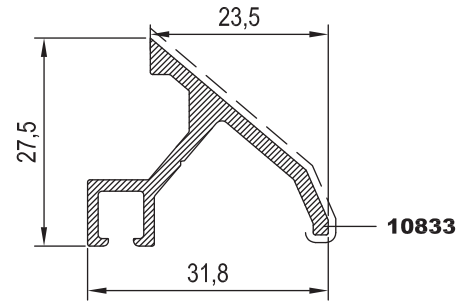
ERD56 K 03



ERD56 K 02



T64 A 19



Nr



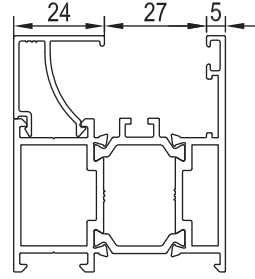
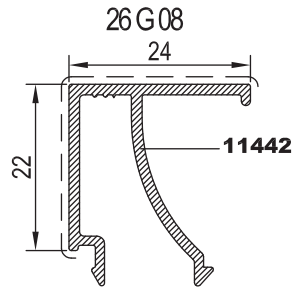
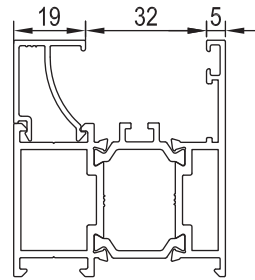
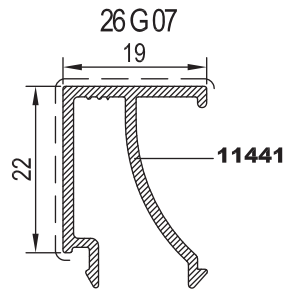
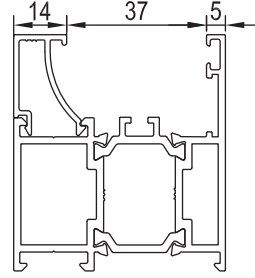
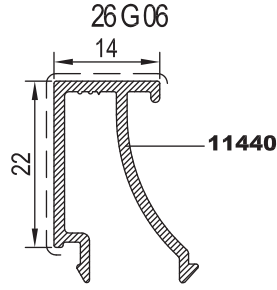
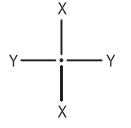
KEŞİM ÖLÇÜSÜ
CUTTING SIZE

AKS. KODU
ACS. CODE

ERD56 K 01	11456	25 J 31 (11438)	45,7 mm	304 J 31
	11431	25 J 32 (11439)	45,7 mm	304 J 32
ERD56 K 03	11482	25 J 31 (11438)	45,7 mm	304 J 31
	11483	25 J 32 (11439)	45,7 mm	304 J 32



KOD / CODE	AĞIRLIK (kg/m) / WEIGHT	L m
26 G 06	0,270	6
26 G 07	0,289	6
26 G 08	0,308	6



B, CAM ÇITASI GLAZING BEAD	C, İÇ CAM FİTİLİ GLAZING GASKET	A, CAM KALINLIĞI GLASS THICKNESS	D, DIŞ CAM FİTİLİ GLAZING GASKET
26 G 06	01.17.20	30 mm	01.16.10
26 G 06	01.17.05	29 mm	01.16.10
26 G 06	01.17.14	28 mm	01.16.10
26 G 06	01.17.15	27 mm	01.16.10
26 G 06	01.17.21	26 mm	01.16.10
26 G 07	01.17.20	25 mm	01.16.10
26 G 07	01.17.05	24 mm	01.16.10
26 G 07	01.17.14	23 mm	01.16.10
26 G 07	01.17.15	22 mm	01.16.10
26 G 07	01.17.21	21 mm	01.16.10
26 G 08	01.17.20	20 mm	01.16.10
26 G 08	01.17.05	19 mm	01.16.10
26 G 08	01.17.14	18 mm	01.16.10
26 G 08	01.17.15	17 mm	01.16.10
26 G 08	01.17.21	16 mm	01.16.10



TAKOZLAR (CLEATS)

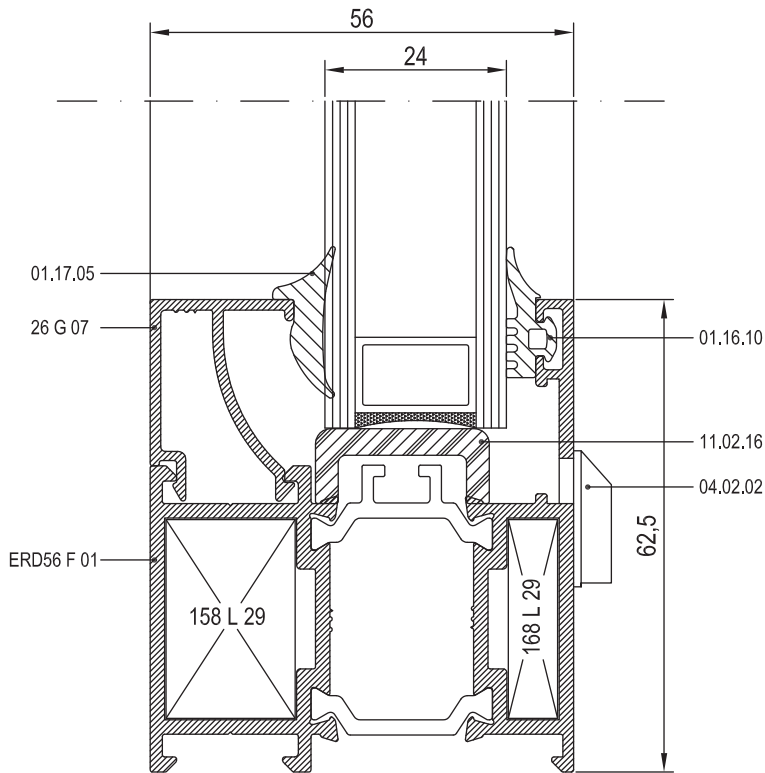
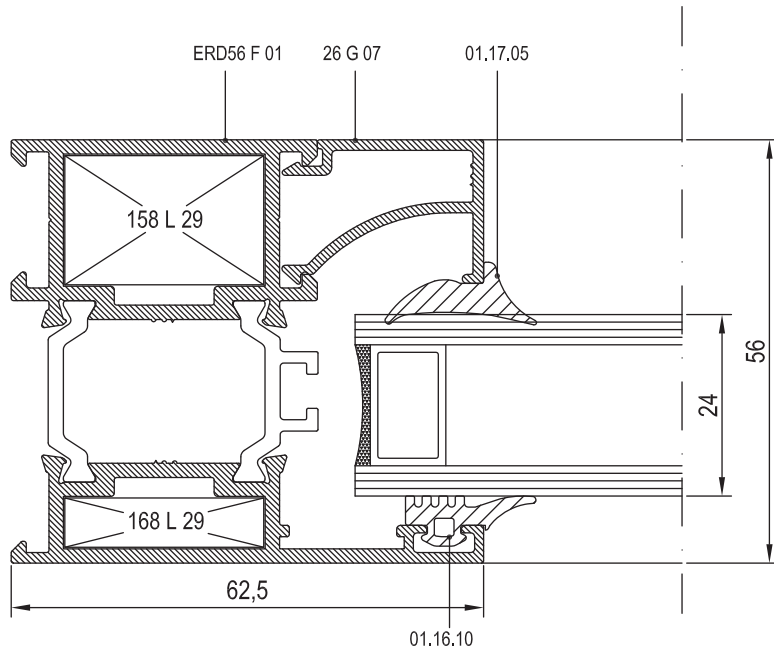
PROFİL KODU (PROFILE CODE)	25 L 02	25 L 04	25 L 17	25 L 21
FABRİKA KODU (FACTORY CODE)	2020	2211	2062	2167
AĞIRLIK (WEIGHT)	4,943 kg/m	7,711 kg/m	12,253 kg/m	9,691 kg/m
ÇİZİM (DRAWING)				
PROFİL KODU (PROFILE CODE)	25 L 26	25 L 29	25 J 31	25 J 32
FABRİKA KODU (FACTORY CODE)	10540	10543	11438	11439
AĞIRLIK (WEIGHT)	4,870 kg/m	3,582 kg/m	0,676 kg/m	0,449 kg/m
ÇİZİM (DRAWING)				

KÖŞE TAKOZLARI (CORNER CLEATS)

Nr		L m	KESİM ÖLÇÜSÜ CUTTING SIZE	AKS. KODU ACS. CODE
ERD56 F 01	11416	25 L 29 (10543)	12,0 mm	158 L 29
	11417	25 L 29 (10543)	6,4 mm	168 L 29
ERD56 F 02	11429	25 L 26 (10540)	12,0 mm	158 L 26
	11430	25 L 26 (10540)	6,4 mm	168 L 26
ERD56 F 03	11476	25 L 29 (10543)	12,0 mm	158 L 29
	11475	25 L 29 (10543)	6,4 mm	168 L 29
ERD56 M 01	11416	25 L 29 (10543)	12,0 mm	158 L 29
	11428	25 L 29 (10543)	6,4 mm	168 L 29
ERD56 M 02	11429	25 L 26 (10540)	12,0 mm	158 L 26
	11431	25 L 26 (10540)	6,4 mm	168 L 26
ERD56 M 04	11476	25 L 29 (10543)	12,0 mm	158 L 29
	11477	25 L 29 (10543)	6,4 mm	168 L 29
ERD56 V 01	11418	25 L 21 (2167)	27,5 mm	176 L 21
	11419	25 L 02 (2020)	6,0 mm	100 L 02
ERD56 V 02	11432	25 L 04 (2211)	27,5 mm	176 L 04
	11433	25 L 17 (2062)	6,0 mm	100 L 17
ERD56 V 03	11435	25 L 04 (2211)	8,6 mm	138 L 17
	11434	25 L 17 (2062)	16,0 mm	199 L 04
ERD56 V 04	11454	25 L 14 (2059)	27,5 mm	176 L 14
	11419	25 L 02 (2020)	6,0 mm	100 L 02
ERD56 V 05	11455	25 L 24 (2170)	27,5 mm	176 L 24
	11433	25 L 17 (2062)	6,0 mm	100 L 17
ERD56 V 06	11478	25 L 21 (2167)	27,5 mm	176 L 21
	11479	25 L 02 (2020)	6,0 mm	100 L 02
ERD56 V 07	11480	25 L 04 (2211)	27,5 mm	176 L 04
	11481	25 L 17 (2062)	6,0 mm	100 L 17

ORTA KAYIT BAĞLANTILARI (MULLION CONNECTION PIECES)

Nr		L m	KESİM ÖLÇÜSÜ CUTTING SIZE	AKS. KODU ACS. CODE
ERD56 M 01	11416	25 J 31 (11438)	26,2 mm	240 J 31
	11428	25 J 32 (11439)	26,2 mm	240 J 32
ERD56 M 02	11429	25 J 31 (11438)	45,7 mm	304 J 31
	11431	25 J 32 (11439)	45,7 mm	304 J 32
ERD56 M 04	11476	25 J 31 (11438)	26,2 mm	240 J 31
	11477	25 J 32 (11439)	26,2 mm	240 J 32
ERD56 K 01	11456	25 J 31 (11438)	45,7 mm	304 J 31
	11431	25 J 32 (11439)	45,7 mm	304 J 32
ERD56 K 03	11482	25 J 31 (11438)	45,7 mm	304 J 31
	11483	25 J 32 (11439)	45,7 mm	304 J 32



11

12

13

14

15

16

17

18

19

20



11

12

13

14

15

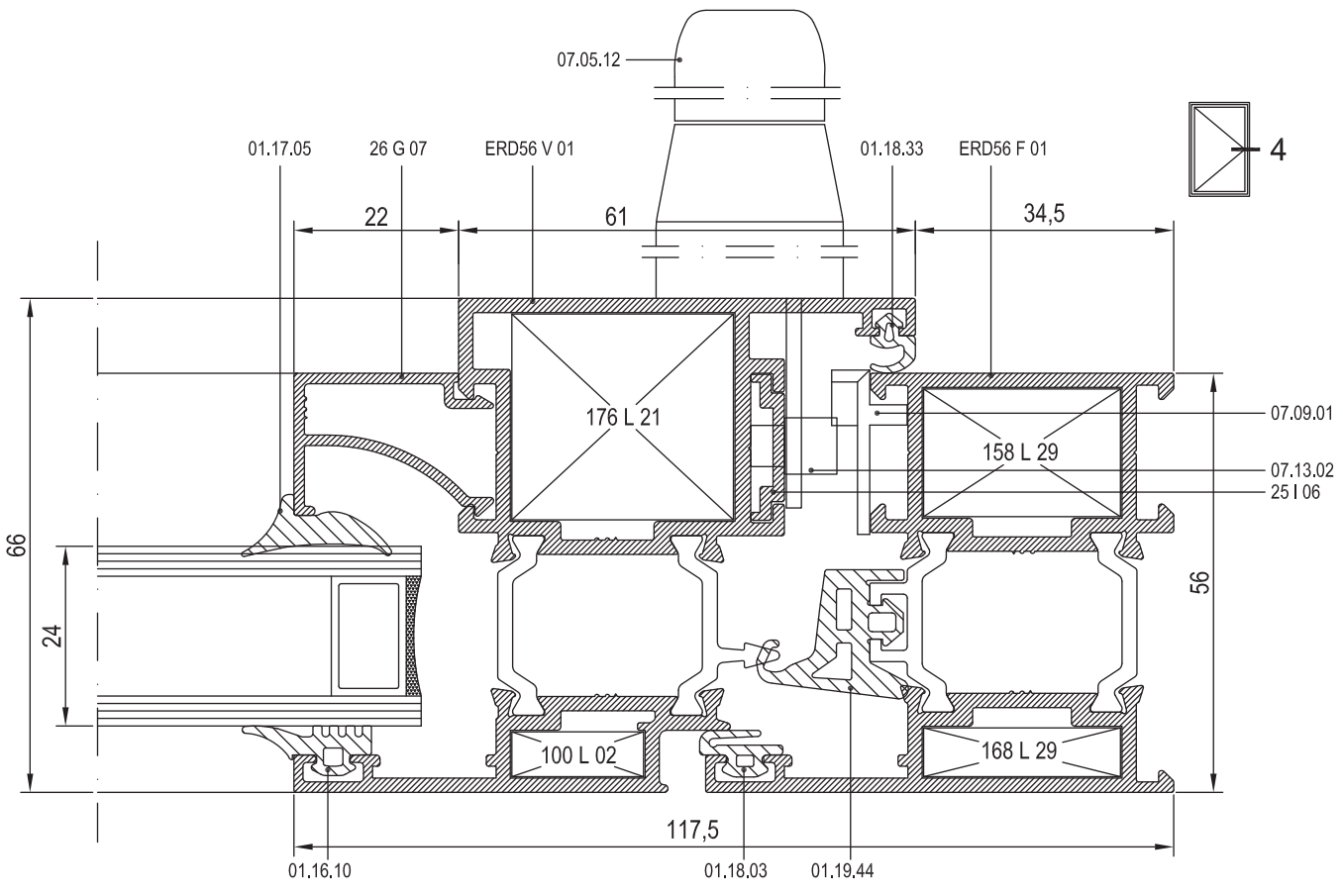
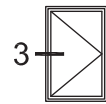
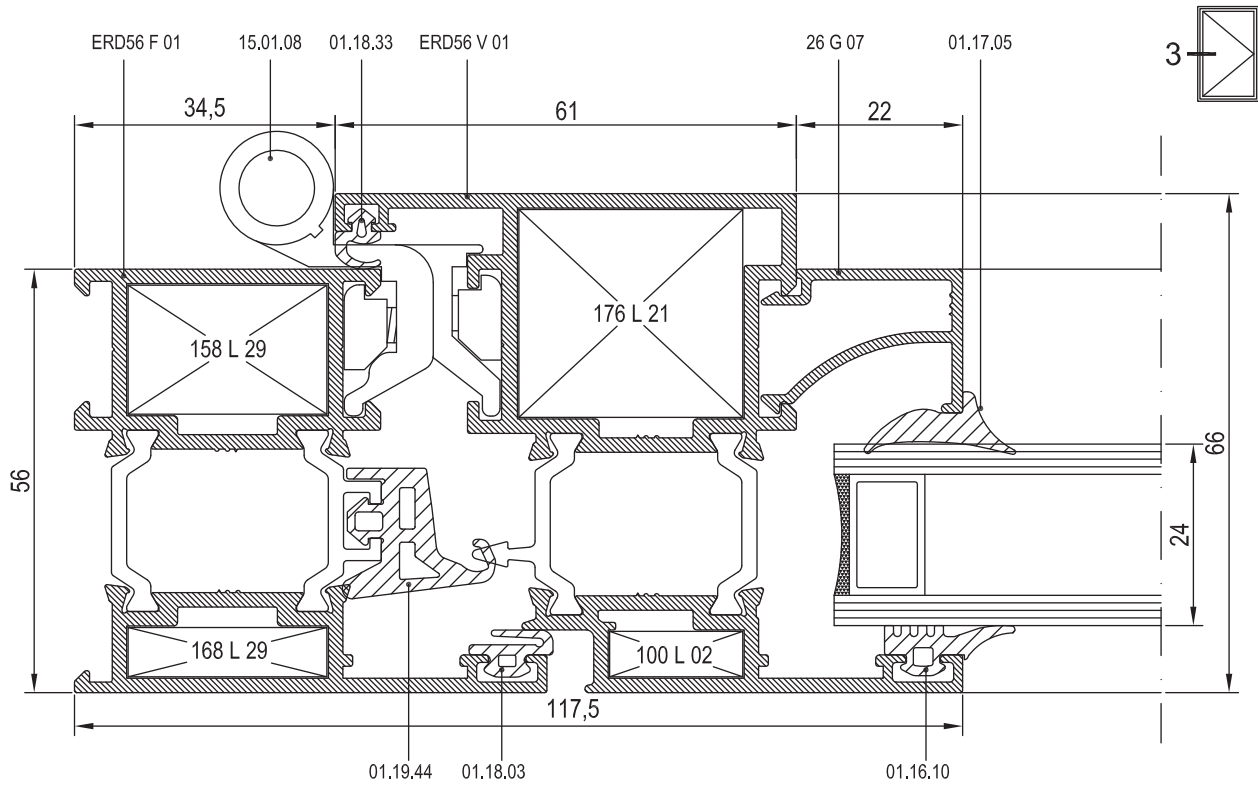
16

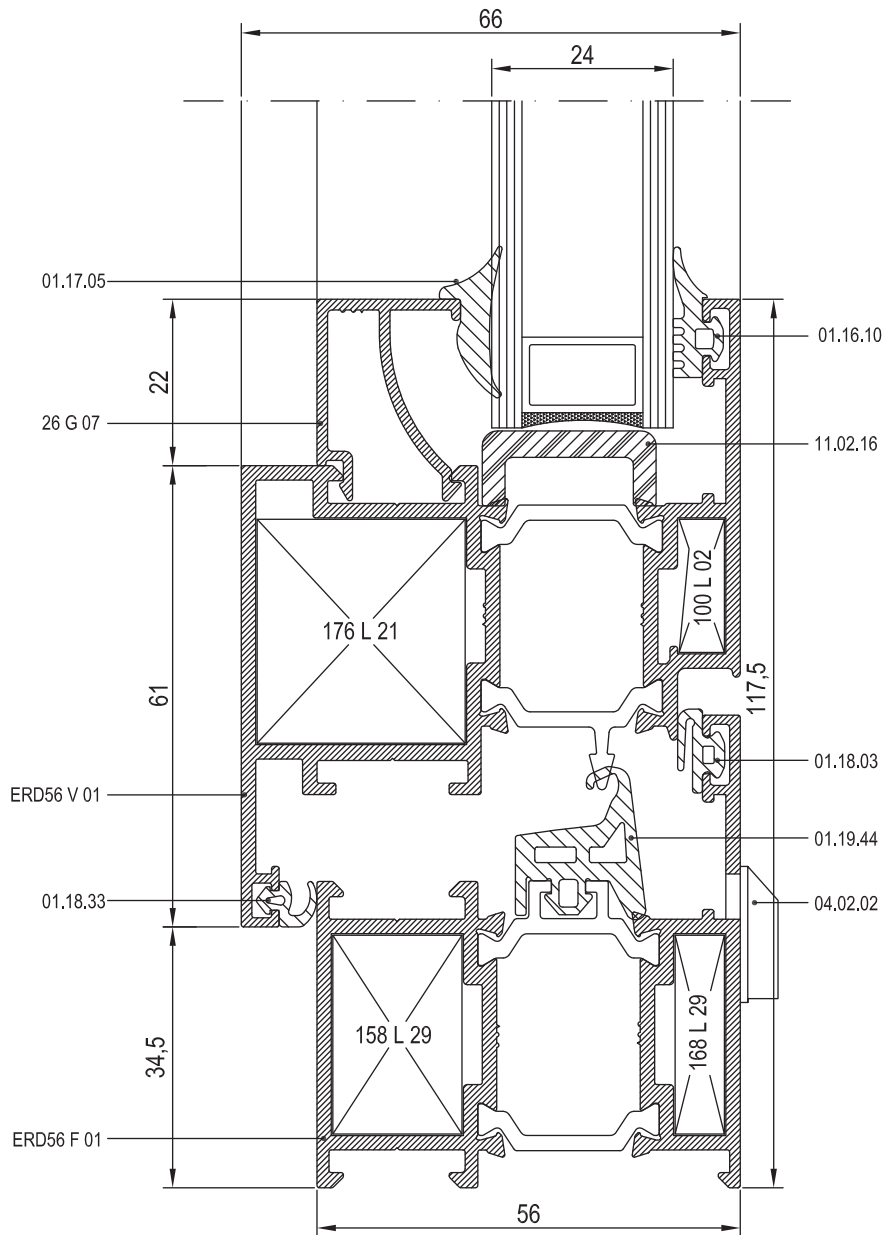
17

18

19

20





11

12

13

14

15

16

17

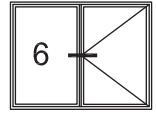
18

19

20



11

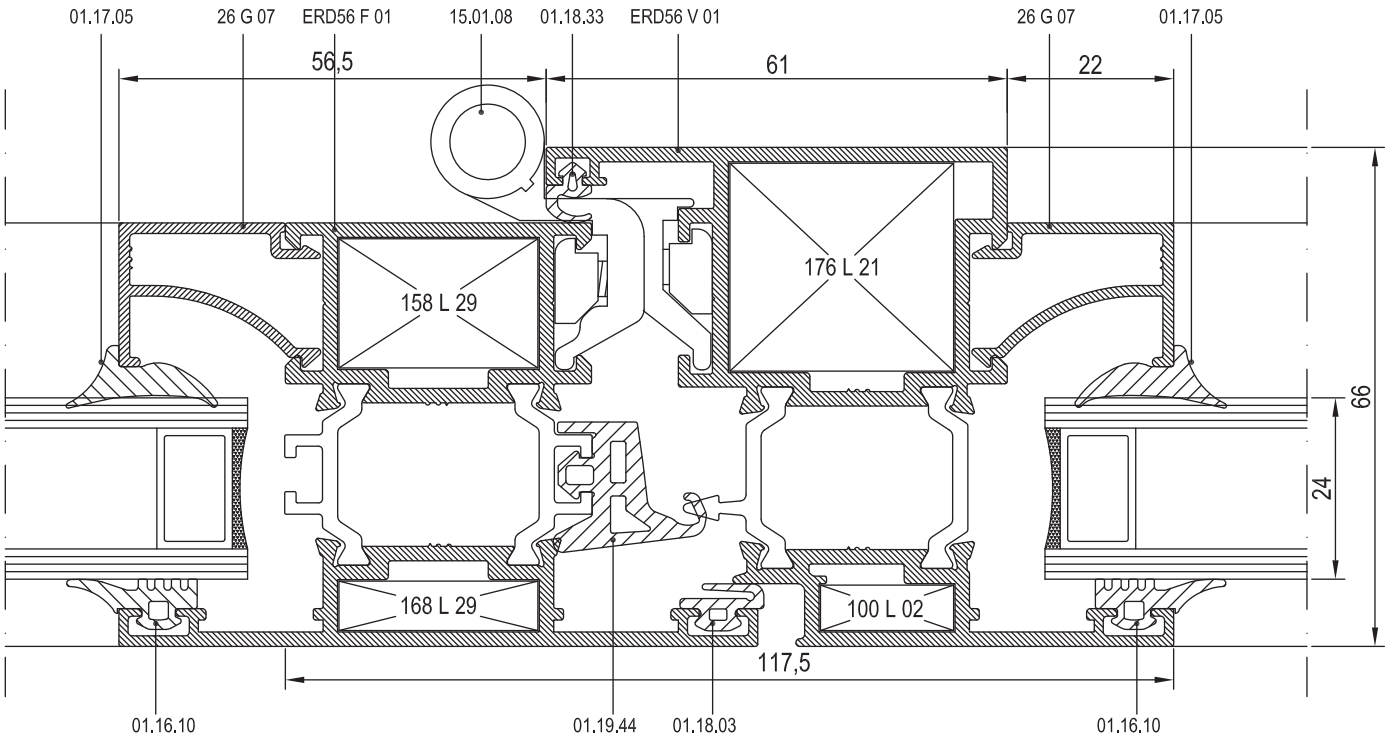


12

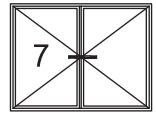
13

14

15



16

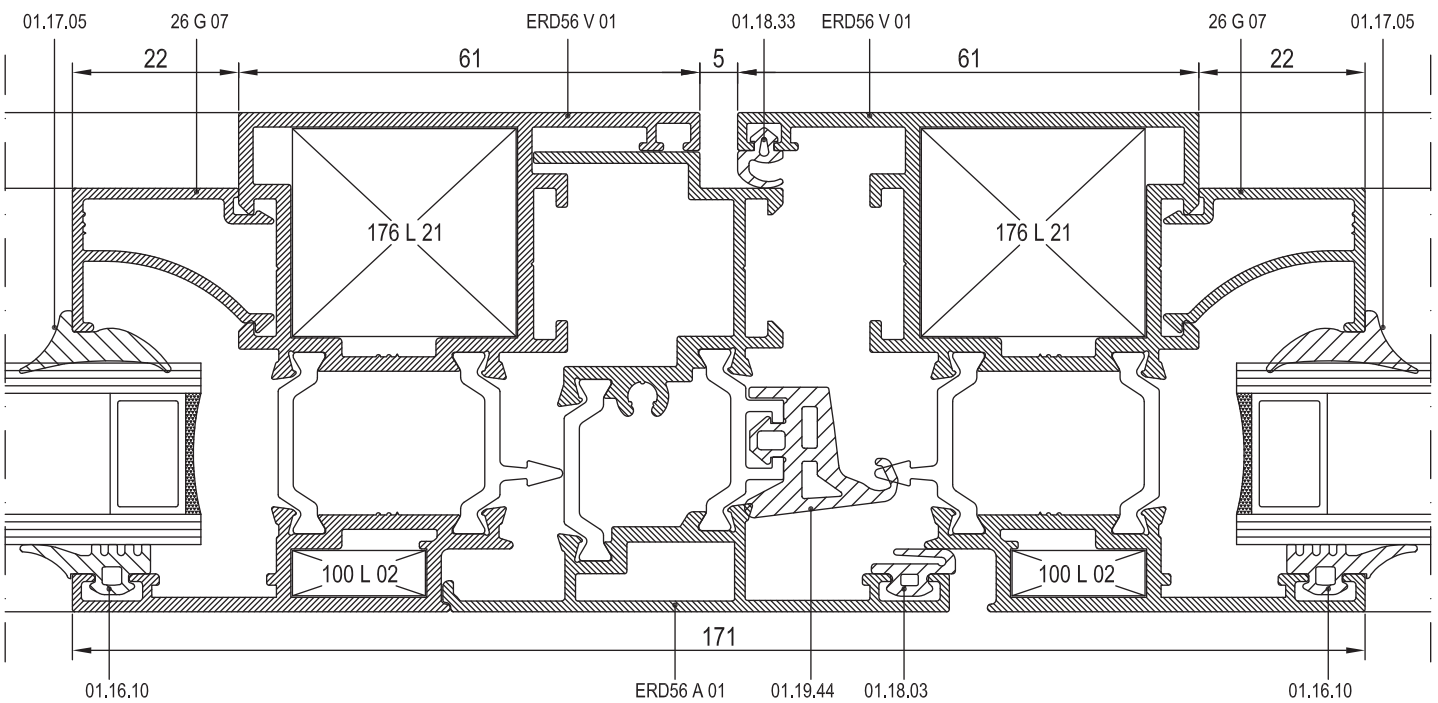


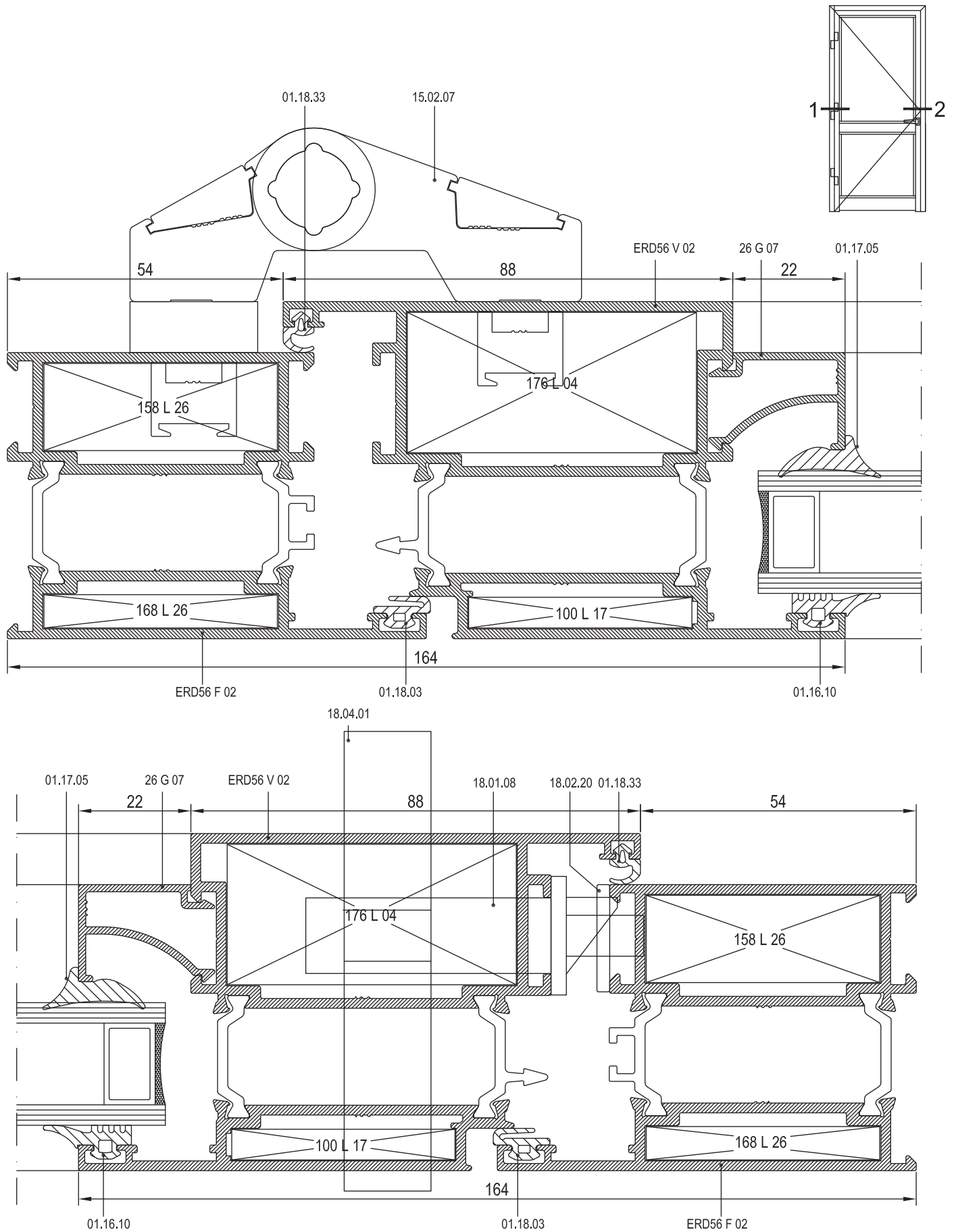
17

18

19

20





11

12

13

14

15

16

17

18

19

20



11

12

13

14

15

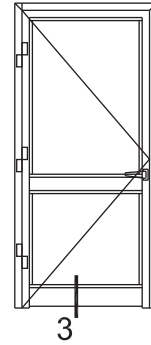
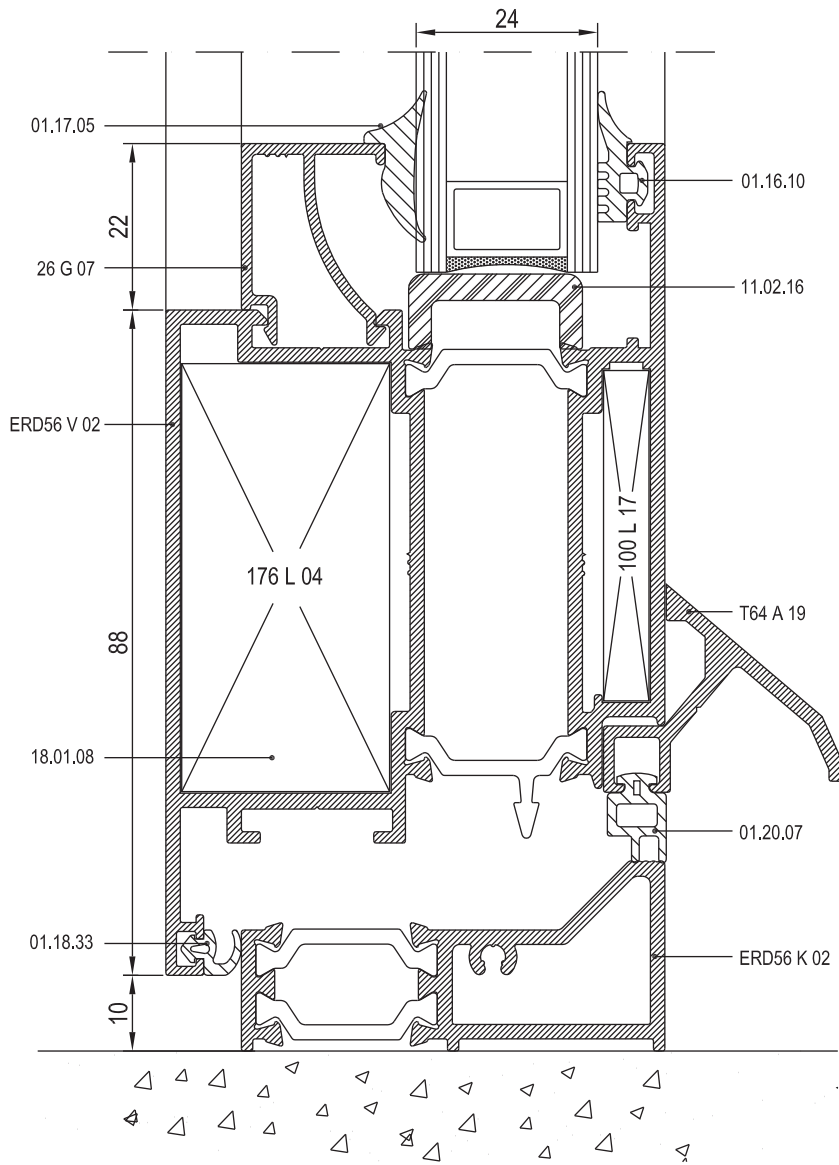
16

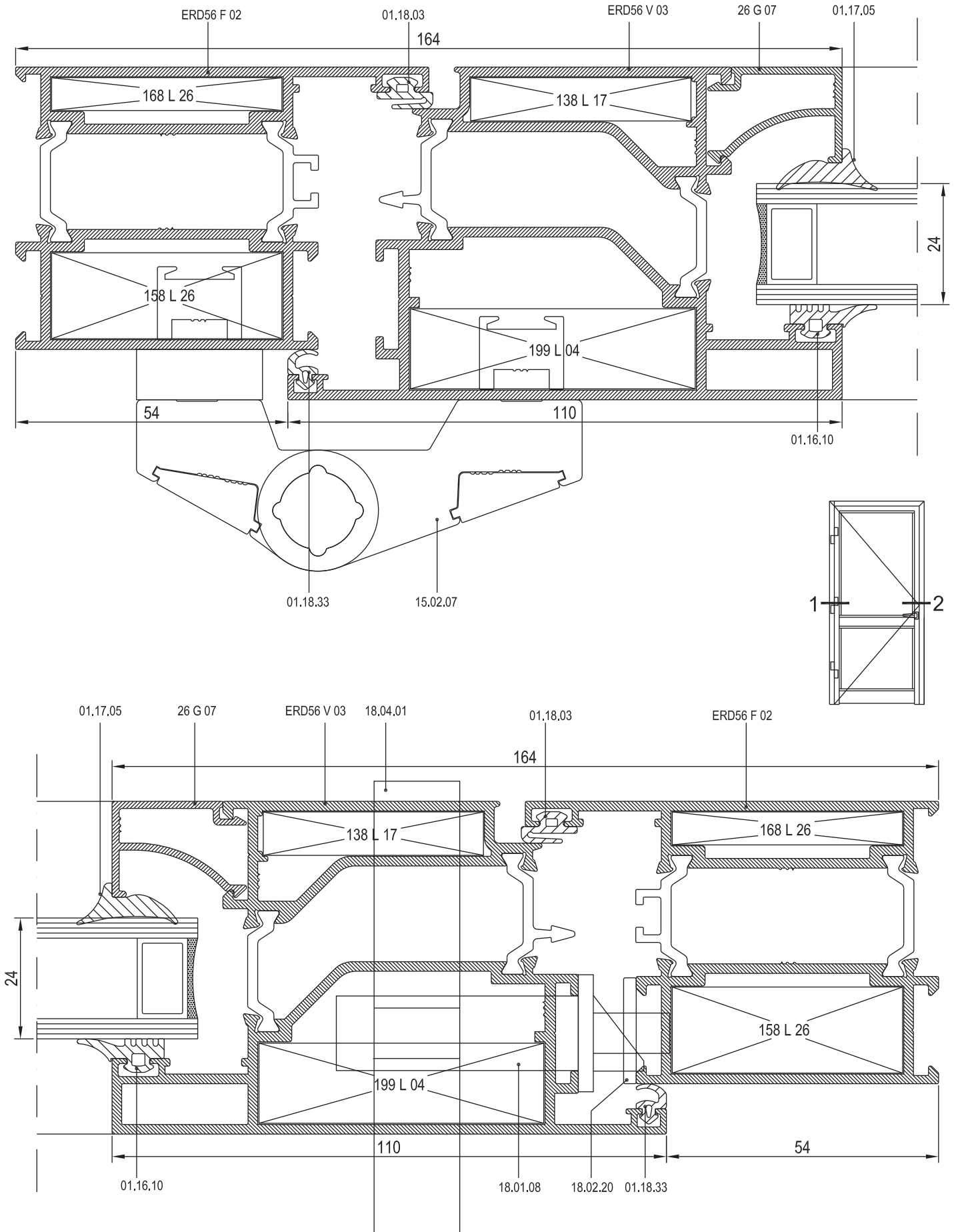
17

18

19

20





11

12

13

14

15

16

17

18

19

20



11

12

13

14

15

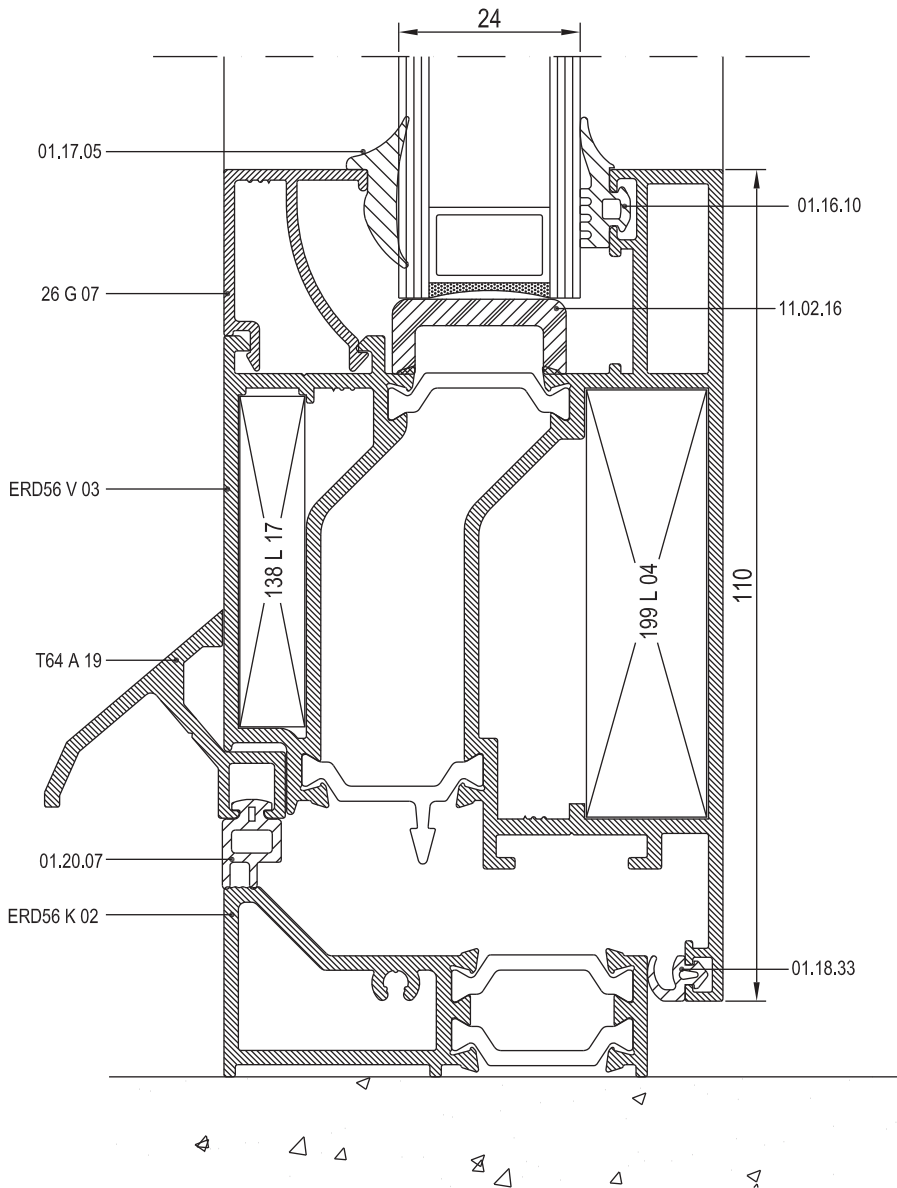
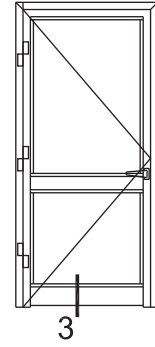
16

17

18

19

20

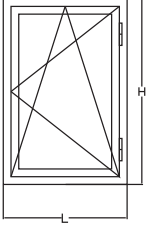




	<p>01.16.10 DIŞ CAM FITİLİ GLAZING GASKET (OUTSIDE) EPDM 62 gr/m</p>			<p>01.18.33 İÇ BİNI FITİLİ ACOUSTICAL GASKET EPDM 28 gr/m</p>		11
	<p>01.17.05 İÇ CAM FITİLİ GLAZING GASKET (INSIDE) EPDM 60 gr/m</p>			<p>01.19.44 TOZLUK FITİLİ CENTRAL GASKET EPDM 190 gr/m</p>		12
	<p>01.17.14 İÇ CAM FITİLİ GLAZING GASKET (INSIDE) EPDM 86 gr/m</p>			<p>01.20.07 EŞİK FITİLİ THRESHOLD GASKET EPDM 58 gr/m</p>		13
	<p>01.17.15 İÇ CAM FITİLİ GLAZING GASKET (INSIDE) EPDM 107 gr/m</p>			<p>04.02.02 TAHLİYE KAPAĞI DRAINAGE COVER</p>		14
	<p>01.17.20 İÇ CAM FITİLİ GLAZING GASKET (INSIDE) EPDM 57 gr/m</p>			<p>04.06.54 ÜST ADAPTÖR KAPAĞI ADAPTER CAP-UPPER</p>	<p>UYGULANILAN PROFİL: ERD56 A 01 USE WITH: ERD56 A 01</p>	15
	<p>01.17.21 İÇ CAM FITİLİ GLAZING GASKET (INSIDE) EPDM 166 gr/m</p>			<p>04.06.55 ALT ADAPTÖR KAPAĞI ADAPTER CAP-BOTTOM</p>	<p>UYGULANILAN PROFİL: ERD56 A 01 USE WITH: ERD56 A 01</p>	16
	<p>01.18.03 DIŞ BİNI FITİLİ ACOUSTICAL GASKET EPDM 55 gr/m</p>			<p>07.05.12 İSPANYOLET KOL ÇİFT DİLLİ WINDOW HANDLE SİYAH-BEYAZ-GRİ BLACK-WHITE-GREY</p>		17
						18
						19
						20

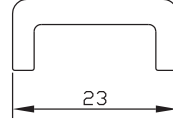


11

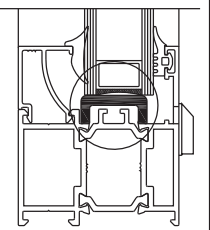
**07.06.60.**

ÇİFT AÇILIM MEKANİZMASI
TILT AND TURN MECANISM
SİYAH-GRİ
BLACK-GREY

GENİŞLİK: 570~1000 mm
WIDTH: 570~1000 mm
YÜKSEKLİK: 400~1200 mm
HEIGHT: 400~1200 mm

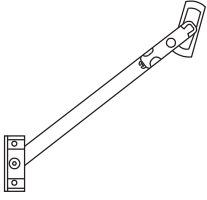
**11.02.16**

CAM TAKOZU
GLASS WEDGE
SİYAH
BLACK

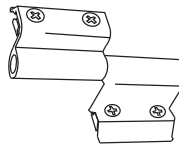
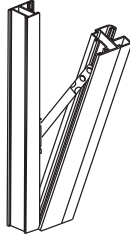


12

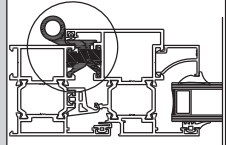
13

**07.07.02**

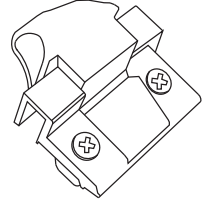
VASİSTAS MAKAS
VASİSTAS ACCESSORY
SİYAH-BEYAZ-GRİ
BLACK-WHITE-GREY

**15.01.08**

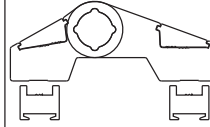
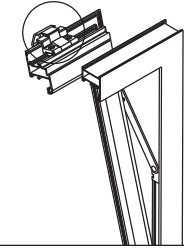
PENCERE MENTEŞESİ
WINDOW HINGE
SİYAH-BEYAZ-GRİ-ELOKSAL
BLACK-WHITE-GREY-ANODISED



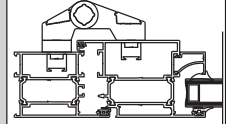
14

**07.08.01**

VASİSTAS MANDALI
VASİSTAS SPRING
SİYAH-BEYAZ
BLACK-WHITE

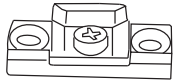
**15.02.07**

KAPAZLAMA MENTEŞE (2Lİ)
DOOR HINGE
SİYAH-BEYAZ-GRİ
BLACK-WHITE-GREY

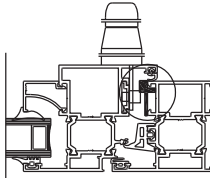


15

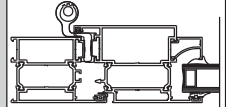
16

**07.09.01**

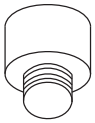
AYARLI PİM KARŞILIĞI
LOCK PLATE

**15.02.09**

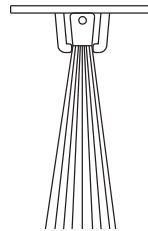
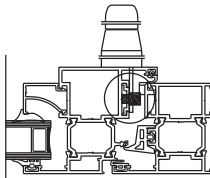
KAPI MENTEŞESİ
DOOR HINGE
SİYAH-BEYAZ-GRİ-ELOKSAL
BLACK-WHITE-GREY-ANODISED



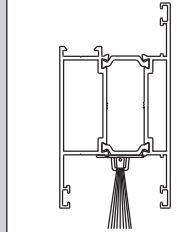
17

**07.13.02**

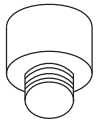
ORTA GÖBEK PİMİ
CENTRAL LOCK PIN

**17.02.01**

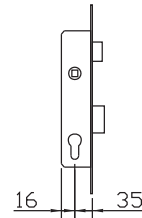
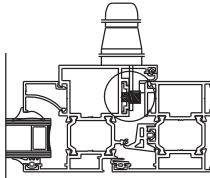
KAPI ALTI FIRÇASI
BRUSH
1 Mt



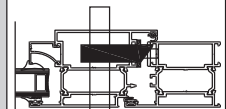
18

**07.13.03**

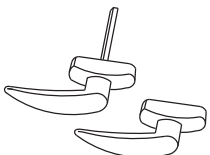
TIJ PİM
LOCK PIN

**18.01.08**

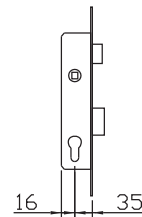
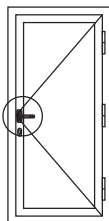
DİLLİ KİLİT
MORTISE LOCK
STANDART
STANDARD



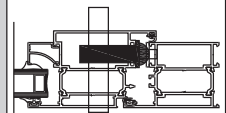
19

**07.14.04**

KAPI KOLU (İTHAL)
DOOR HANDLE
SİYAH-BEYAZ-GRİ
BLACK-WHITE-GREY


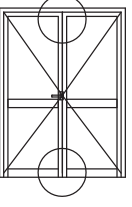
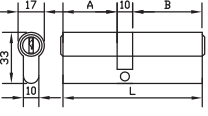
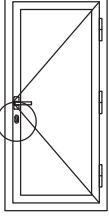
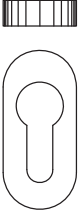
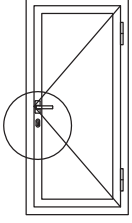
**18.01.09**

MAKARALI KİLİT
MORTISE LOCK (with roller)
STANDART
STANDARD



20



	<p>18.03.01 KAPI ALT-ÜST KİLİTLEME BOLT LOCK</p>										
 <table border="1" data-bbox="180 753 313 805"> <thead> <tr> <th>A</th> <th>B</th> <th>L</th> </tr> </thead> <tbody> <tr> <td>35</td> <td>45</td> <td>90</td> </tr> </tbody> </table>	A	B	L	35	45	90	<p>18.04.01 BAREL CYLINDER KROM-NİKEL CHROME-NICKEL</p>				
A	B	L									
35	45	90									
	<p>18.05.02 BAREL AYNASI CYLINDER COVER SİYAH-BEYAZ BLACK-WHITE</p>										

11

12

13

14

15

16

17

18

19

20

RESCARA SİSTEM

RESCARA SYSTEM

Aluminyum Kapı Pencere ve Giydirmce Cephe Sistemleri
Aluminium Window Doors and Facade Systems

11



12

13

14

15

16

17

18

19

20