

MİMARİ KATALOG

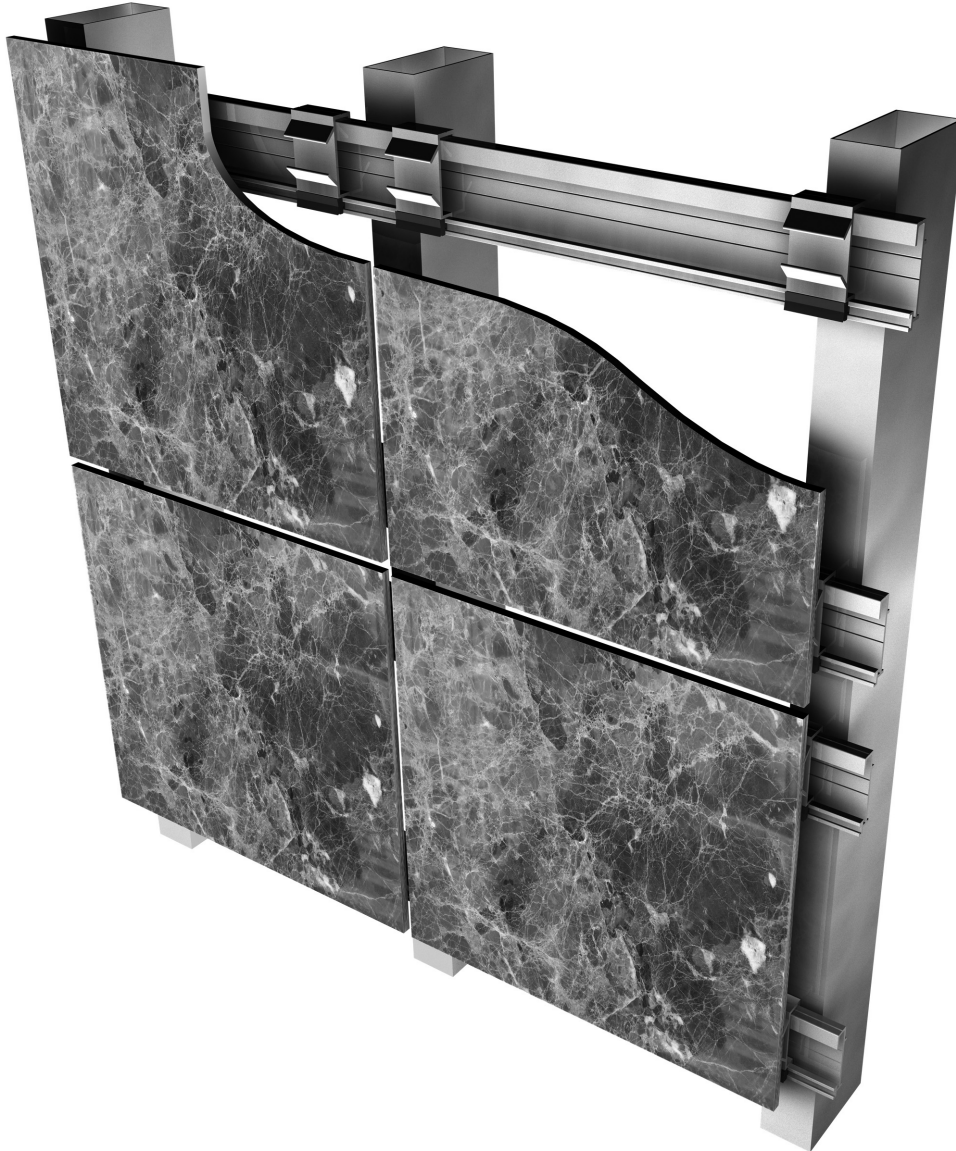
ARCHITECTURAL CATALOGUE

Aluminyum Kapı Pencere ve Giydirme Cephe Sistemleri
Aluminium Window Doors and Facade Systems



Rescara Sistem
Profil Detayları

Rescara System
Profile Details



RG

RESCARA SİSTEM

RESCARA SYSTEM

Aluminyum Kapı Pencere ve Giydirme Cephe Sistemleri
Aluminium Window Doors and Facade Systems

31



32

33

34

35

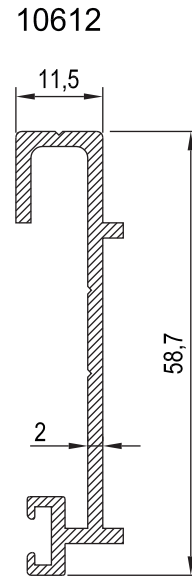
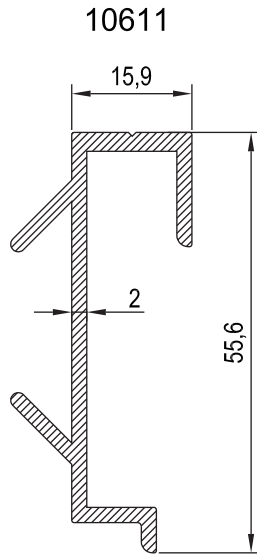
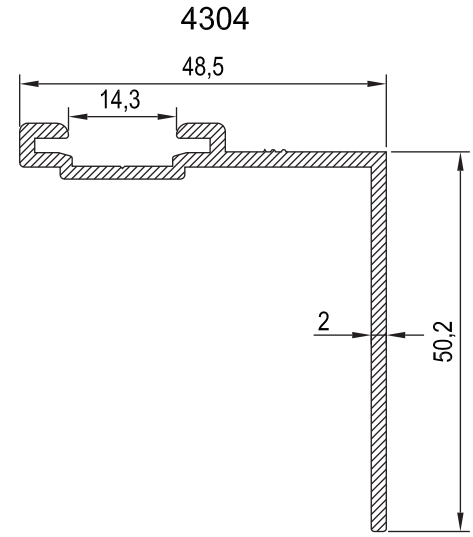
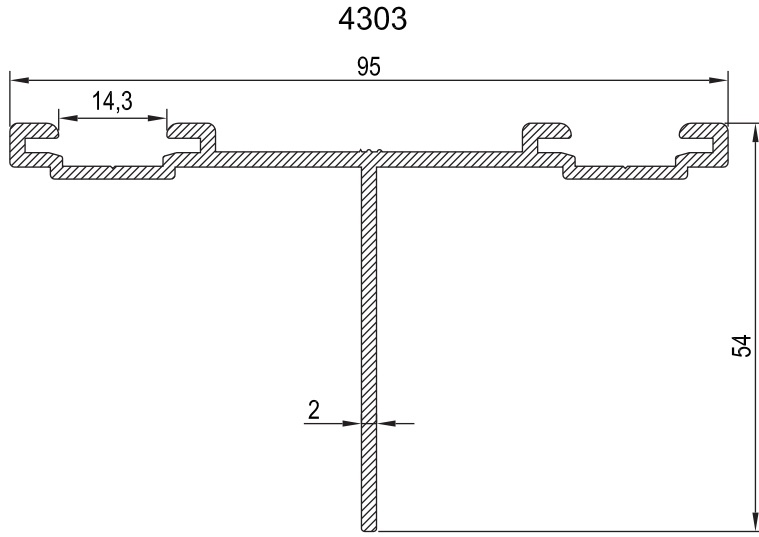
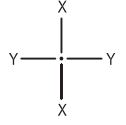
36

37

38



KOD / CODE	AĞIRLIK (kg/m) / WEIGHT	Jxx cm4	Jyy cm4	L m
4303	0,940	6,487	21,999	6
4304	0,607	5,481	6,196	6
10611	0,626	7,481	0,867	6
10612	0,528	7,882	0,276	6



31

32

33

34

35

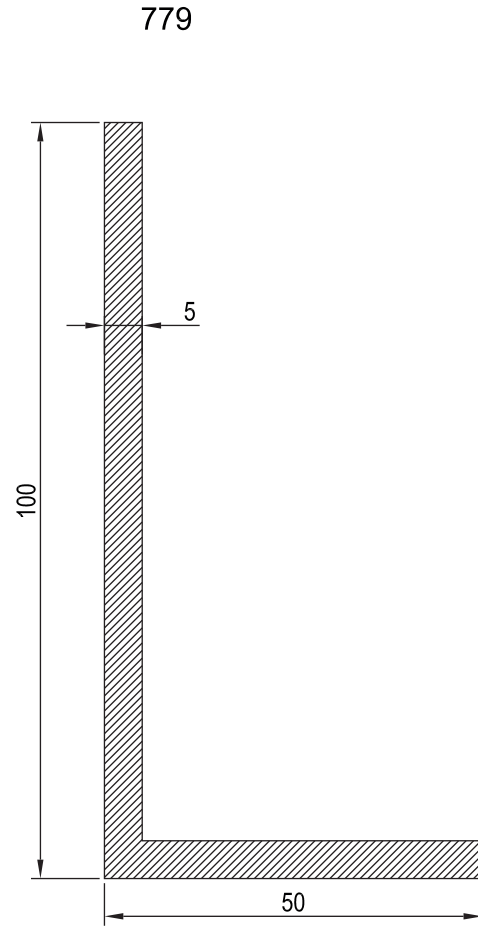
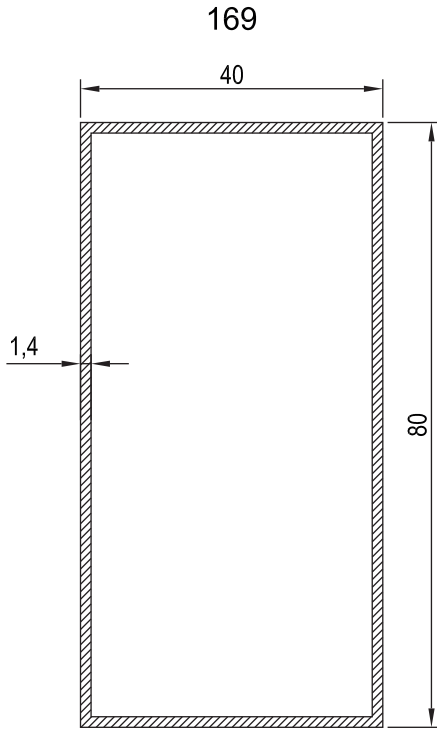
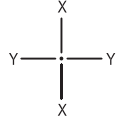
36

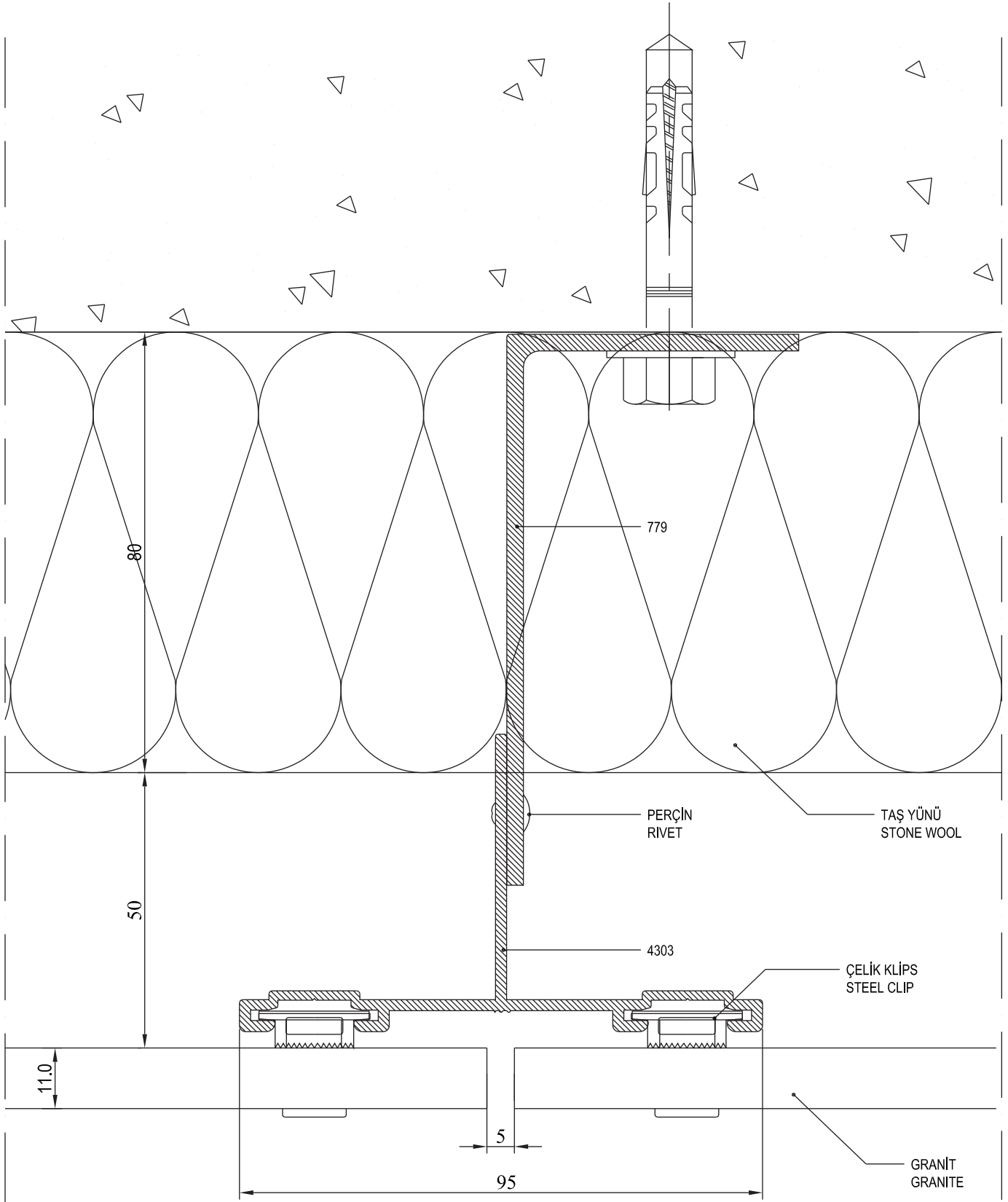
37

38



KOD / CODE	AĞIRLIK (kg/m) / WEIGHT	Jxx cm4	Jyy cm4	L m
169	0,887	28,036	9,547	6
779	1,965	-----	-----	6





31

32

33

34

35

36

37

38



31

32

33

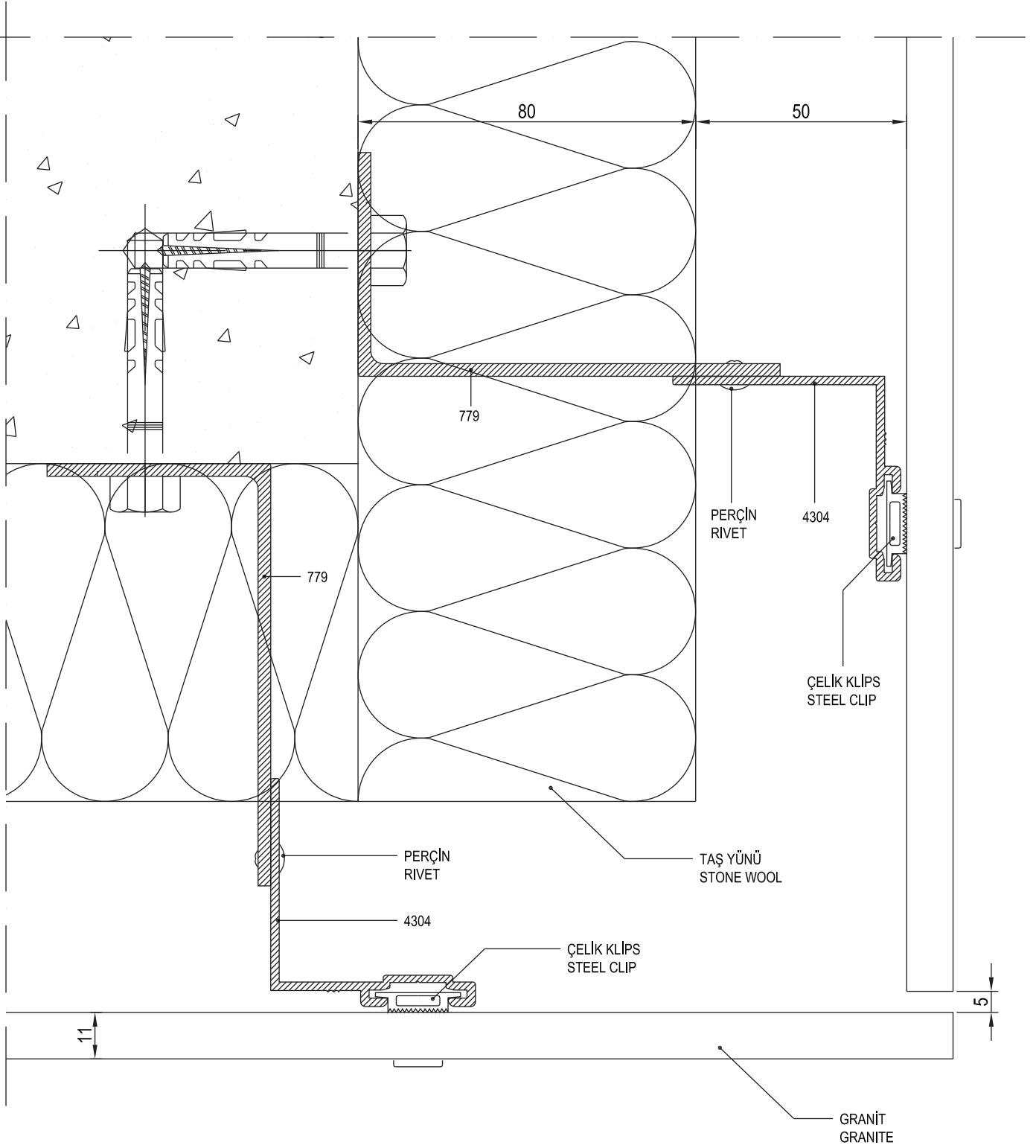
34

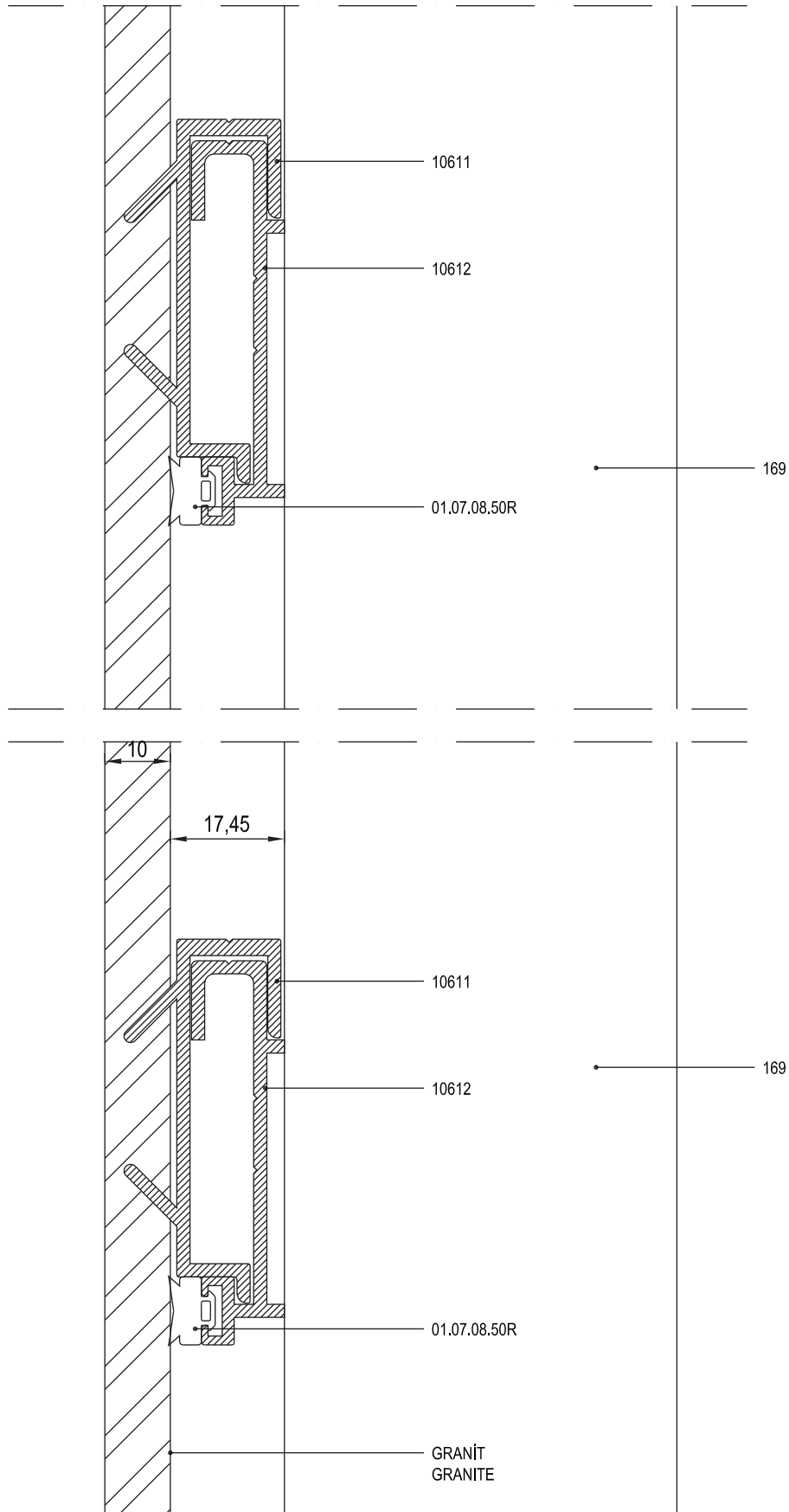
35

36

37

38





31

32

33

34


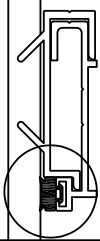

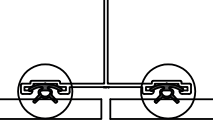
35

36

37

38



31		01.07.08.50R BİNİ FITİLİ GASKET EPDM 68 gr/m				
32						
33		01.07.09.50R BİNİ FITİLİ GASKET EPDM 95 gr/m				
34						
35						
36						
37						
38						

RESCARA SİSTEM

RESCARA SYSTEM

Aluminyum Kapı Pencere ve Giydirme Cephe Sistemleri
Aluminium Window Doors and Facade Systems



31

32

33

34

35

36

37

38

RESCARA SİSTEM

RESCARA SYSTEM

Aluminyum Kapı Pencere ve Giydirmce Cephe Sistemleri
Aluminium Window Doors and Facade Systems



31

32

33

34

35

36

37

38