

MİMARİ KATALOG :

Alüminyum Kapı Pencere ve
Giydirme Cephe Sistemleri



RESCARA
SİSTEM
PROFİL
DETAYLARI



RST79

RESCARA SİSTEM

Alüminyum Kapı Pencere ve
Giydirme Cephe Sistemleri



21

22

23

24

25

26

27

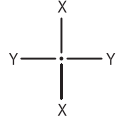
28

29

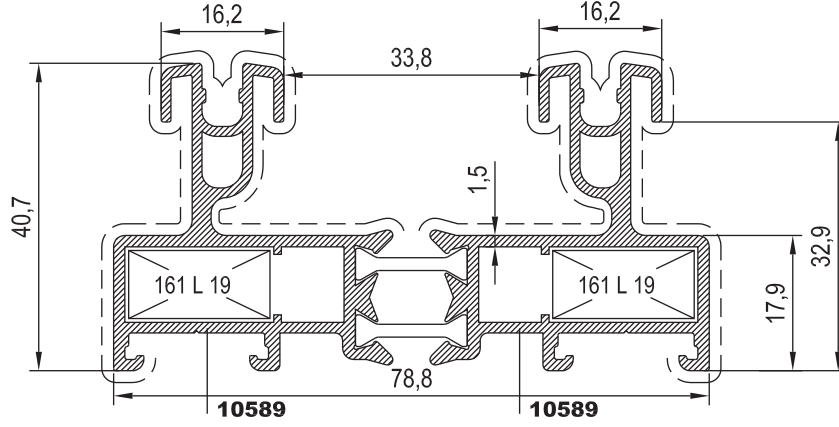
30



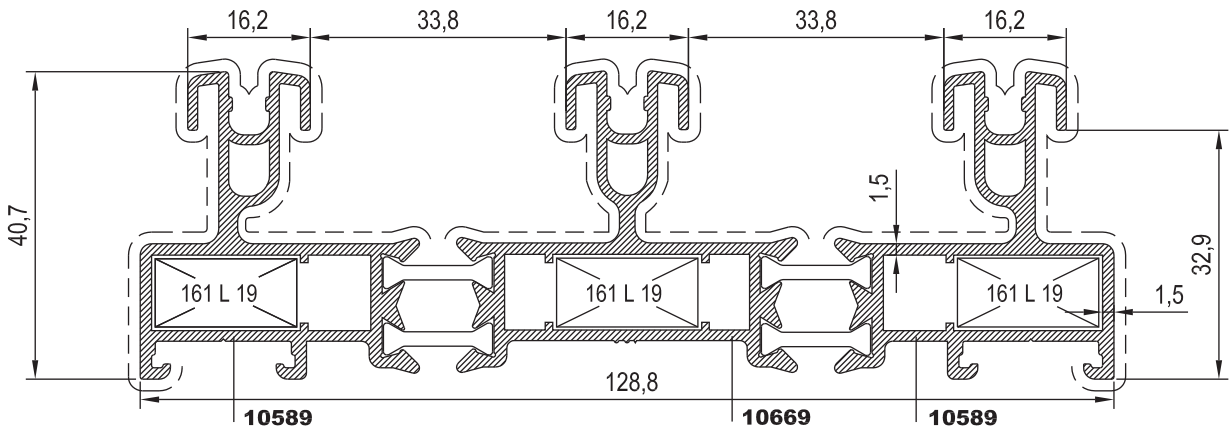
KOD / CODE	AĞIRLIK (kg/m) / WEIGHT	Jxx cm ⁴	Jyy cm ⁴	L m
T79 F 01	1,638	26,000	8,180	6
T79 F 02	2,542	104,210	12,150	6
T79 F 04	1,857	37,080	18,440	6



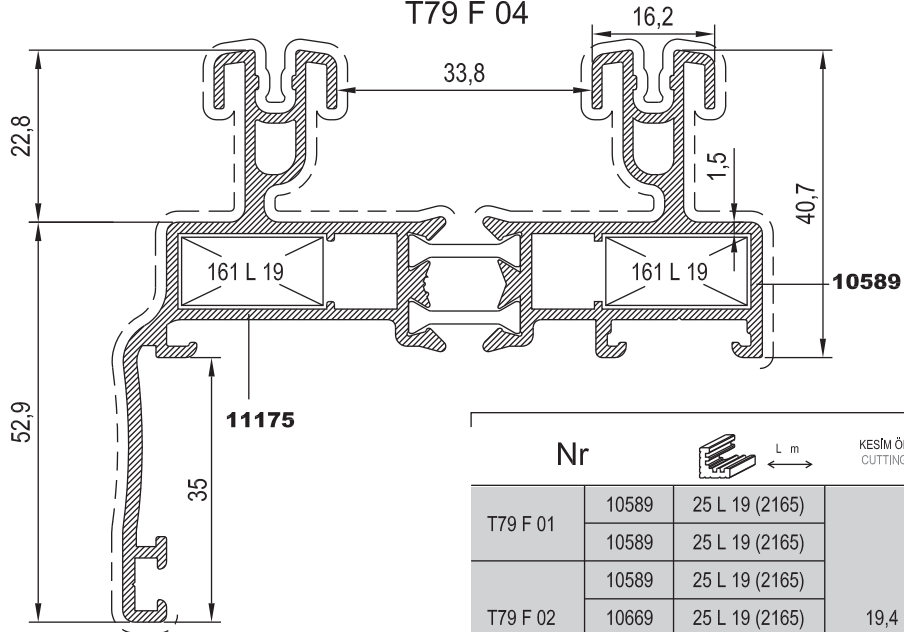
T79 F 01



T79 F 02



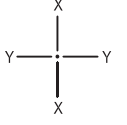
T79 F 04



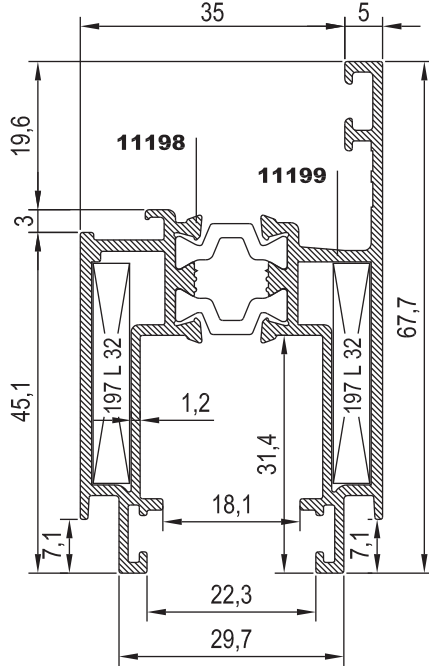
Nr	L m	KEŞİM ÖLÇÜSÜ CUTTING SIZE	AKS. KODU ACS. CODE
T79 F 01	10589	25 L 19 (2165)	19,4 mm 161 L 19
	10589	25 L 19 (2165)	
T79 F 02	10669	25 L 19 (2165)	
	10589	25 L 19 (2165)	
T79 F 04	11175	25 L 19 (2165)	
	10589	25 L 19 (2165)	



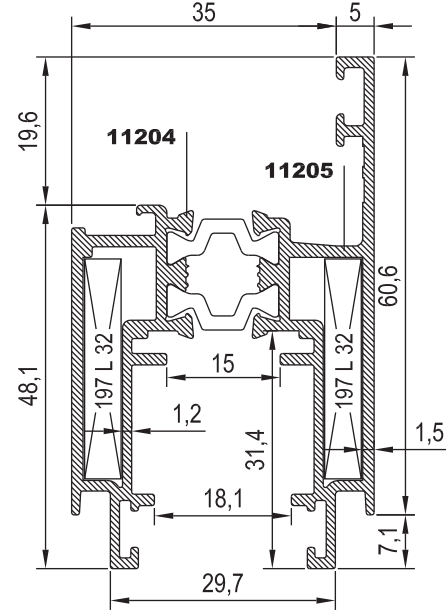
KOD / CODE	AĞIRLIK (kg/m) / WEIGHT	Jxx cm ⁴	Jyy cm ⁴	L m
T79 V 07	1,217	10,835	6,599	6
T79 V 08	1,266	10,847	6,742	6
T79 V 09	1,568	16,671	15,865	6



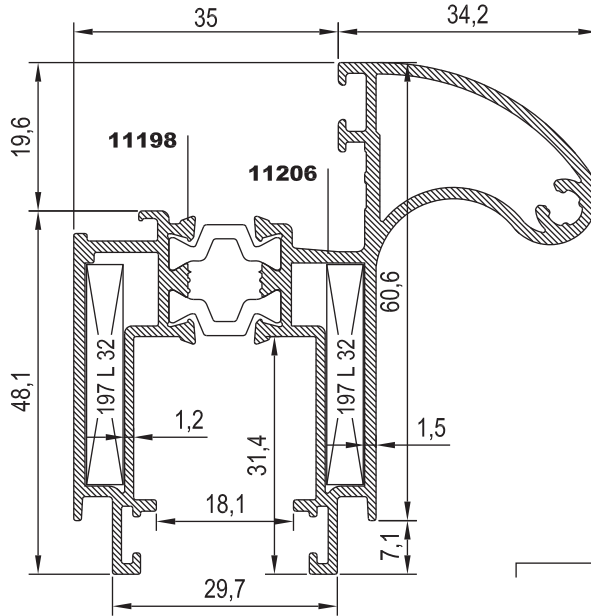
T79 V 07



T79 V 08*



T79 V 09



Nr

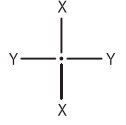
KESİM ÖLÇÜSÜ
CUTTING SIZEAKS. KODU
ACS. CODE

	Nr			
T79 V 07	11198	25 L 32 (2430)	4,9 mm	197 L 32
	11199	25 L 32 (2430)		
T79 V 08	11204	25 L 32 (2430)		
	11205	25 L 32 (2430)		
T79 V 09	11198	25 L 32 (2430)		
	11206	25 L 32 (2430)		

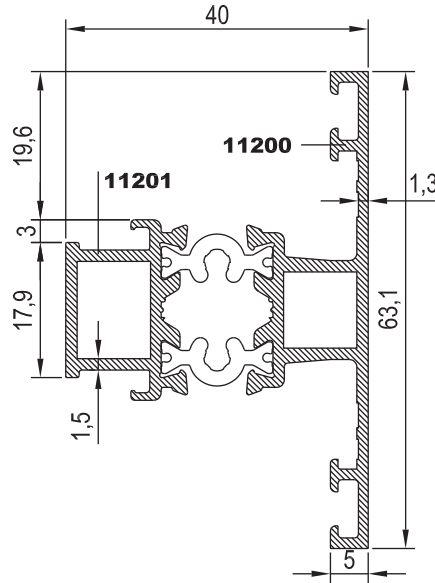
* = BU PROFİL SADECE KOLUN BULUNDUĞU TARAFTA, DİĞER KISIMLAR İSE T79 V 07 OLARAK KULLANILIR.



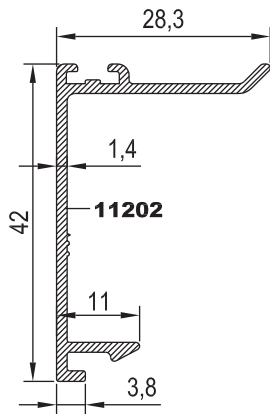
KOD / CODE	AĞIRLIK (kg/m) / WEIGHT	Jxx cm ⁴	Jyy cm ⁴	L m
T79 M 03	1,008	4,610	5,773	6
T79 A 15	0,324	---	---	6
T79 A 16	0,485	---	---	6



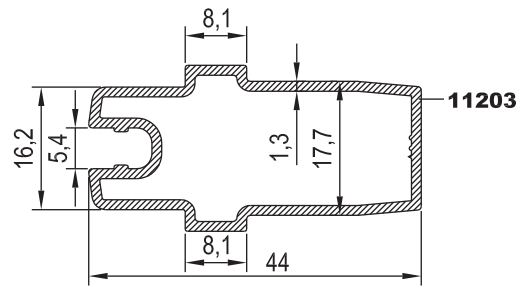
T79 M 03



T79 A 15

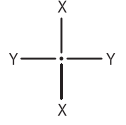


T79 A 16

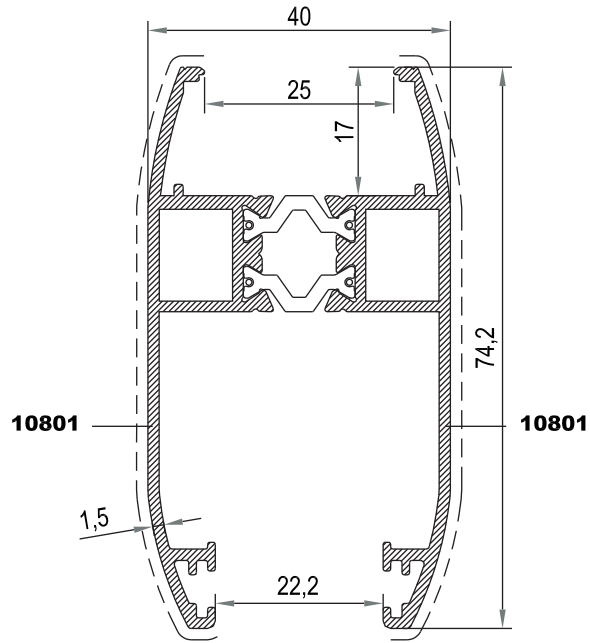




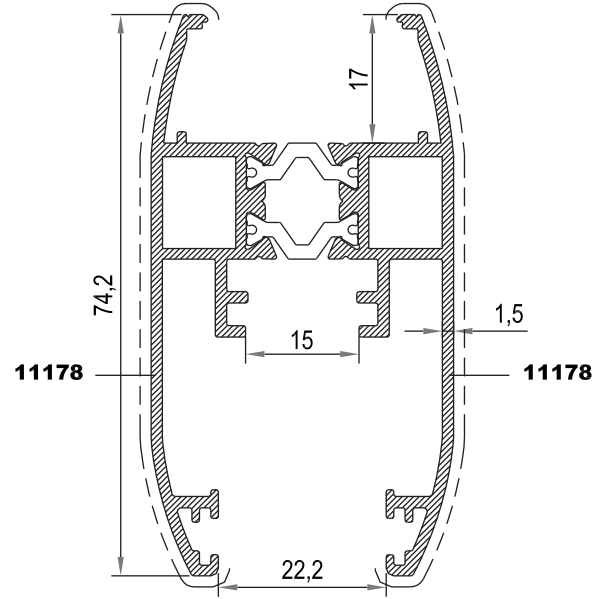
KOD / CODE	AĞIRLIK (kg/m) / WEIGHT	Jxx cm ⁴	Jyy cm ⁴	L m
T79 V 04	1,255	7,550	17,450	6
T79 V 03	1,140	8,110	5,850	6
T79 V 06	1,388	7,910	17,540	6



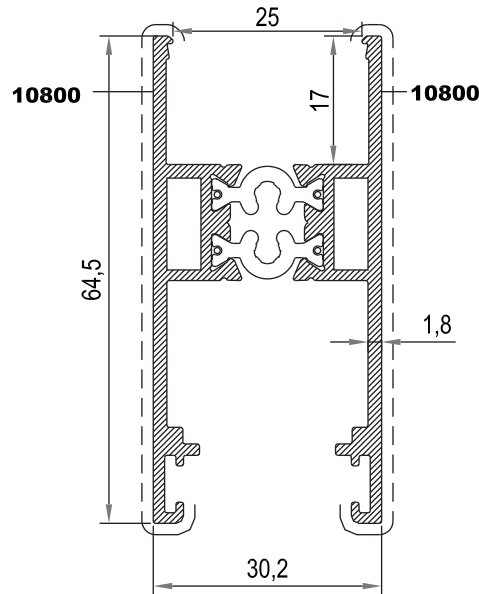
T79 V 04***



T79 V 06***

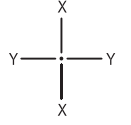


T79 V 03***

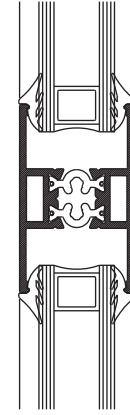
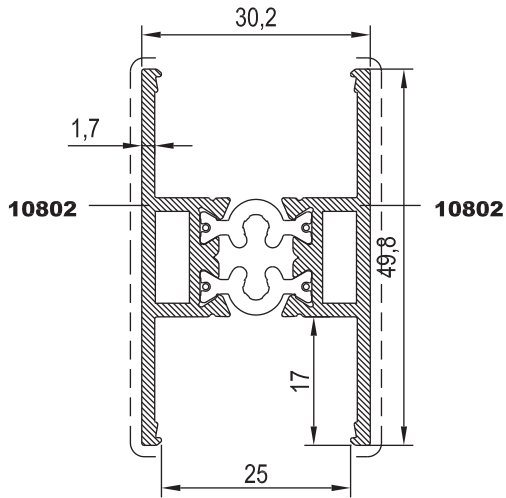




KOD / CODE	AĞIRLIK (kg/m) / WEIGHT	Jxx cm ⁴	Jyy cm ⁴	L m
T79 M 02	0,935	4,170	3,330	6
T79 A 12	0,329	---	---	6
T79 A 13	0,859	---	---	6

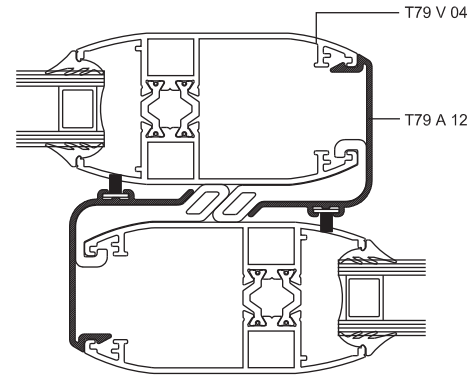
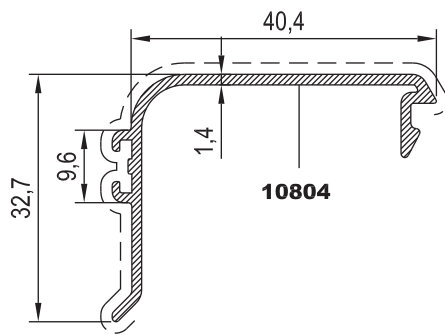


T79 M 02***

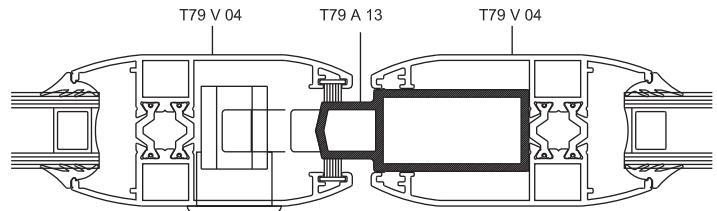
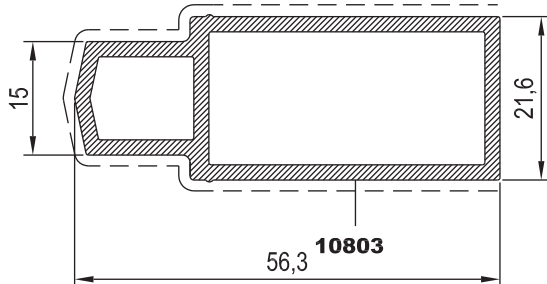


SCALE:1/2

T79 A 12***

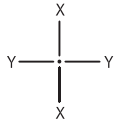


T79 A 13***





KOD / CODE	AĞIRLIK (kg/m) / WEIGHT	Jxx cm4	Jyy cm4	L m
T79 A 03	0,295	---	---	6
T79 A 04	0,491	---	---	6
T79 A 05	0,911	---	---	6
25 I 06	0,104	---	---	6



21

22

23

24

25

26

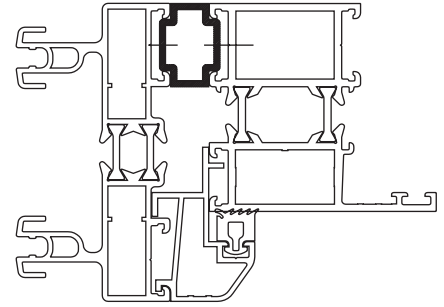
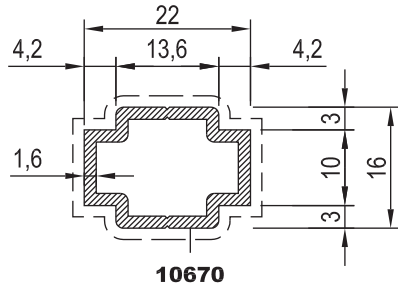
27

28

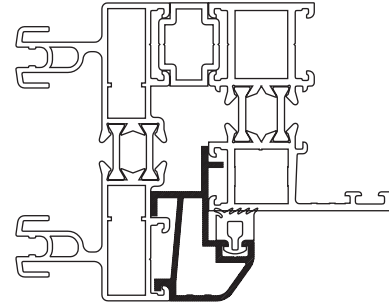
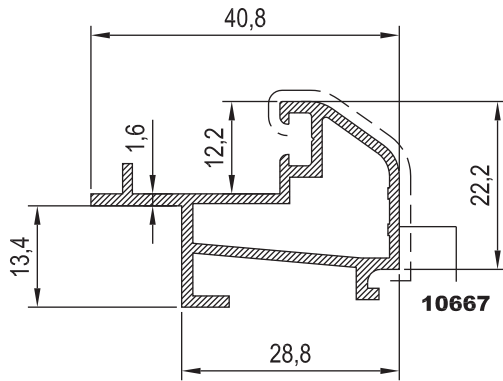
29

30

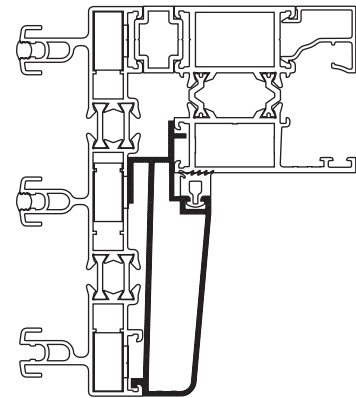
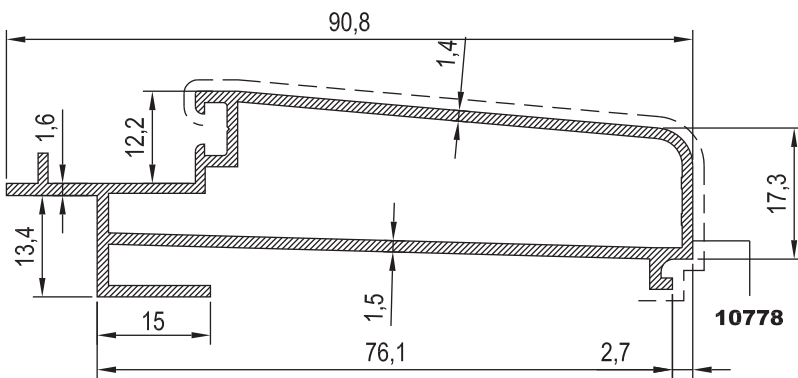
T79 A 03



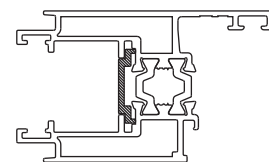
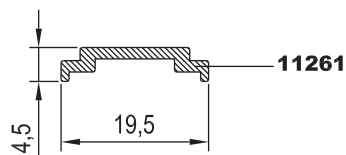
T79 A 04



T79 A 05

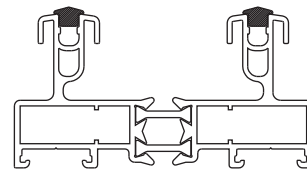
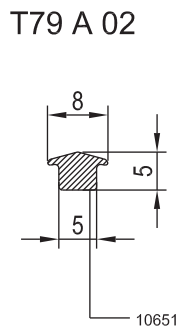
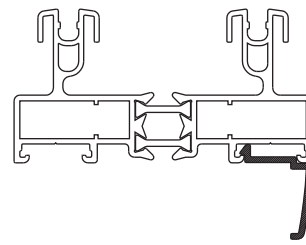
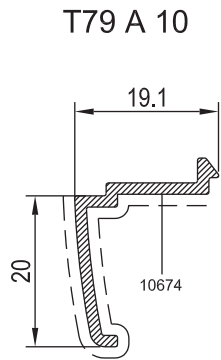
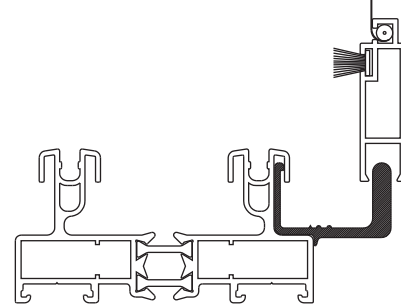
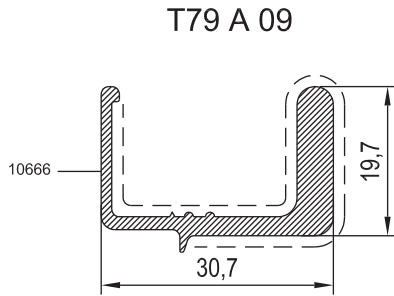
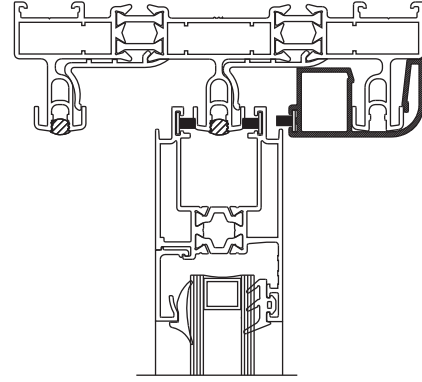
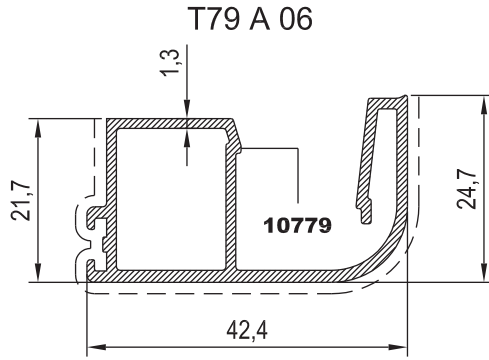
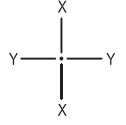


25 I 06





KOD / CODE	AĞIRLIK (kg/m) / WEIGHT	Jxx cm ⁴	Jyy cm ⁴	L m
T79 A 06	0,527	---	---	6
T79 A 09	0,480	---	---	6
T79 A 10	0,180	---	---	6
T79 A 02	0,070	---	---	6



21

22

23

24

25

26

27

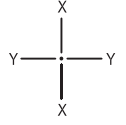
28

29

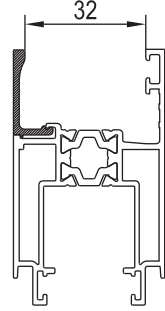
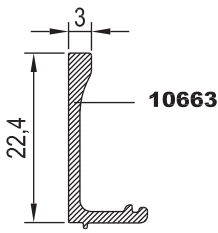
30



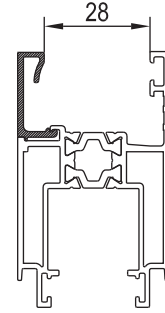
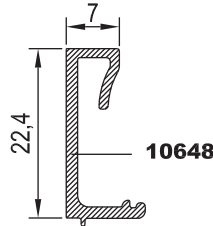
KOD / CODE	AĞIRLIK (kg/m) / WEIGHT	Jxx cm4	Jyy cm4	L m
25 G 24	0,149	---	---	6
25 G 23	0,173	---	---	6
25 G 25	0,179	---	---	6



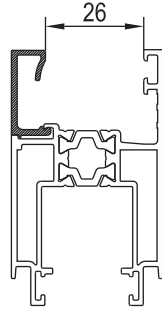
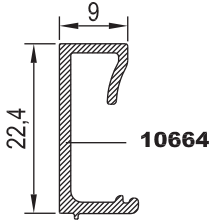
25 G 24



25 G 23



25 G 25



B, CAM ÇITASI GLAZING BEAD	C, İÇ CAM FİTİLİ GLAZING GASKET	A, CAM KALINLIĞI GLASS THICKNESS	D, DIŞ CAM FİTİLİ GLAZING GASKET
25 G 25	01.17.05	17 mm	01.16.02
25 G 25	01.17.04	18 mm	01.16.02
25 G 25	01.17.03	19 mm	01.16.02
25 G 23	01.17.04	20 mm	01.16.02
25 G 23	01.17.03	21 mm	01.16.02
25 G 24	01.17.05	23 mm	01.16.02
25 G 24	01.17.04	24 mm	01.16.02
25 G 24	01.17.03	25 mm	01.16.02

TAKOZLAR (CLEATS)

PROFİL KODU (PROFILE CODE)	25 L 19	25 L 32		
FABRİKA KODU (FACTORY CODE)	2165	2430		
AĞIRLIK (WEIGHT)	3,236 kg/m	3,702 kg/m		
ÇİZİM (DRAWING)				

KÖŞE TAKOZLARI (CORNER CLEATS)

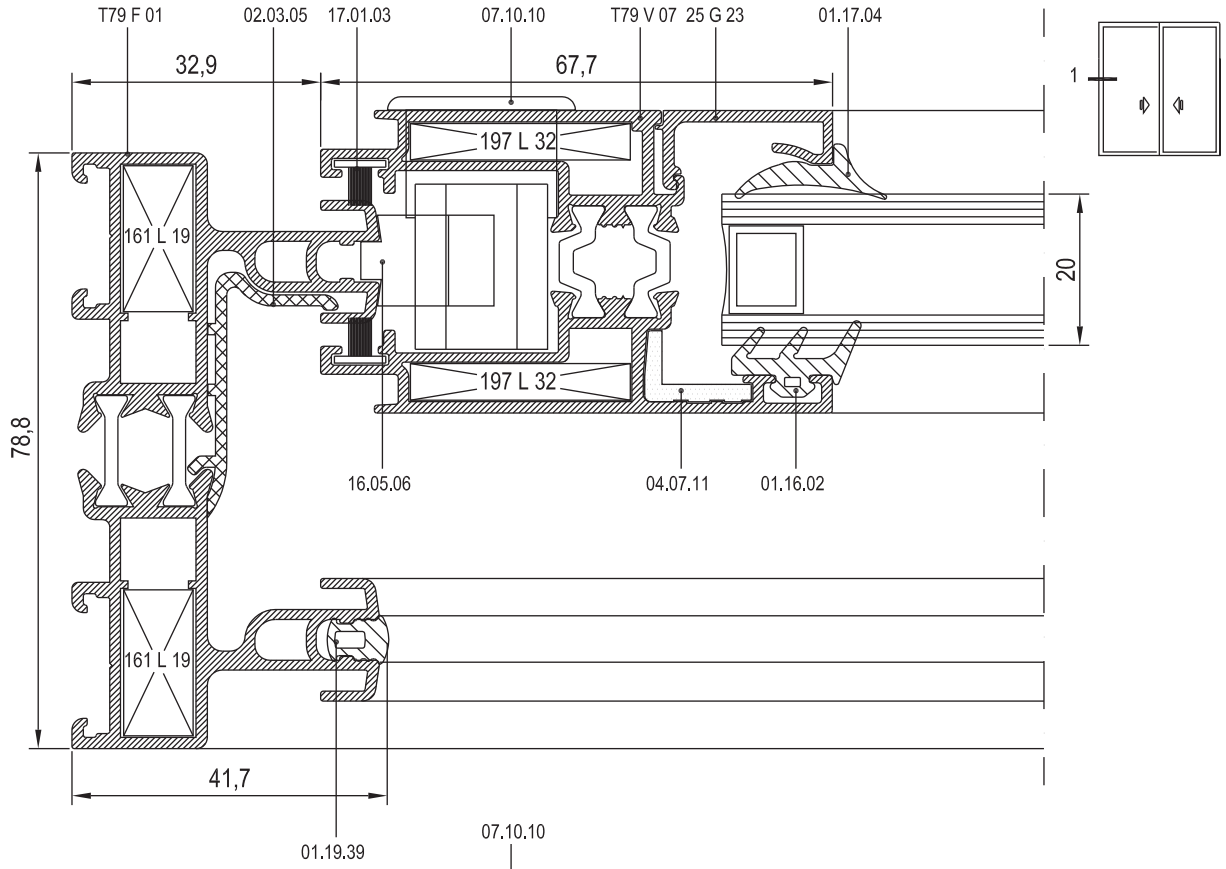
Nr		L m	KEŞİM ÖLÇÜSÜ CUTTING SIZE	AKS. KODU ACS. CODE
T79 F 01	10589	25 L 19 (2165)	19,4 mm	161 L 19
	10589	25 L 19 (2165)		
T79 F 02	10589	25 L 19 (2165)		
	10669	25 L 19 (2165)		
T79 F 04	10589	25 L 19 (2165)		
	11175	25 L 19 (2165)		
	10589	25 L 19 (2165)		

KÖŞE TAKOZLARI (CORNER CLEATS)

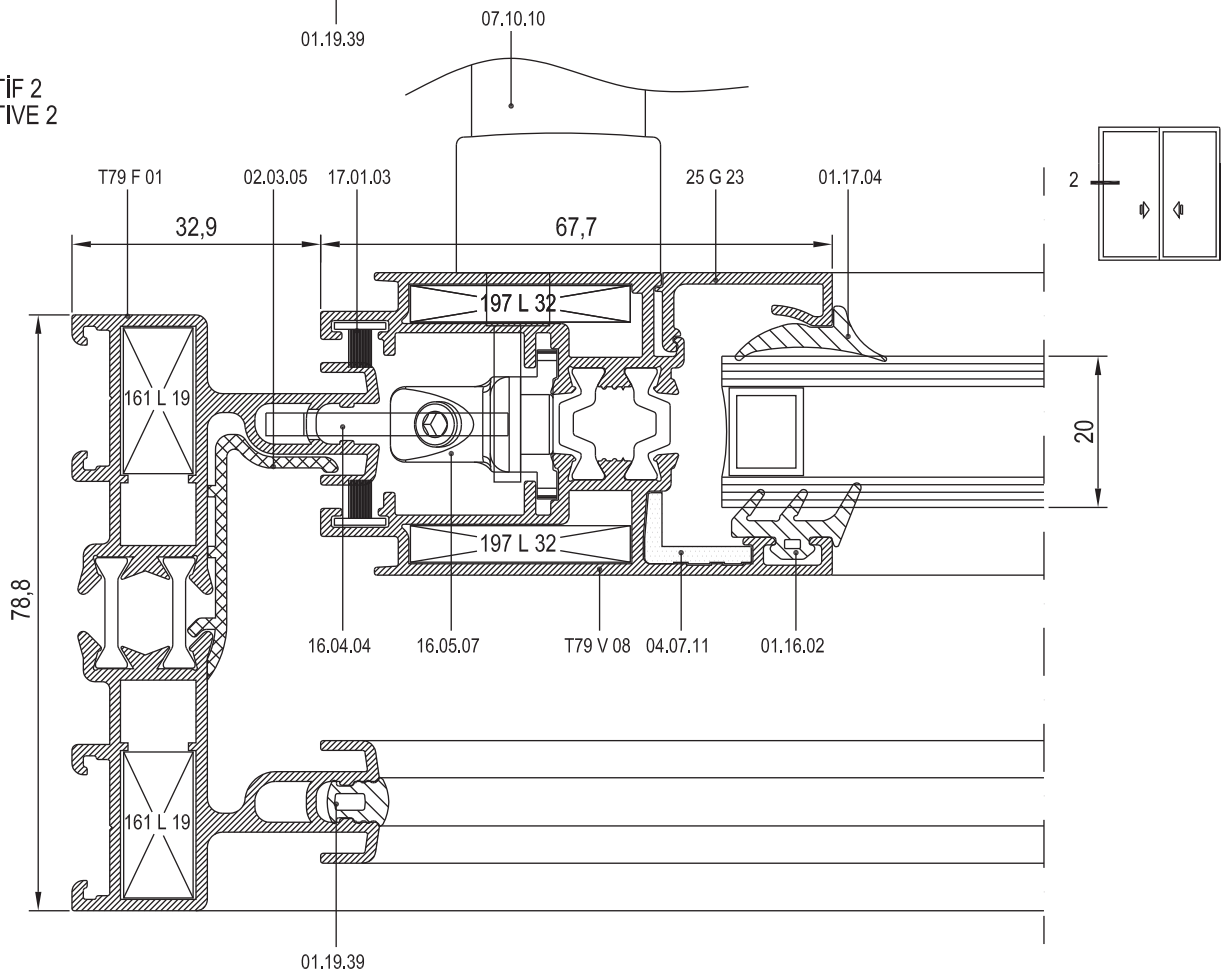
Nr		L m	KEŞİM ÖLÇÜSÜ CUTTING SIZE	AKS. KODU ACS. CODE
T79 V 07	11198	25 L 32 (2430)	4,9 mm	197 L 32
	11199	25 L 32 (2430)		
T79 V 08	11204	25 L 32 (2430)		
	11205	25 L 32 (2430)		
T79 V 09	11198	25 L 32 (2430)		
	11206	25 L 32 (2430)		



ALTERNATİF 1
ALTERNATIVE 1



ALTERNATİF 2
ALTERNATIVE 2



21

22

23

24

25

26

27

28

29

30



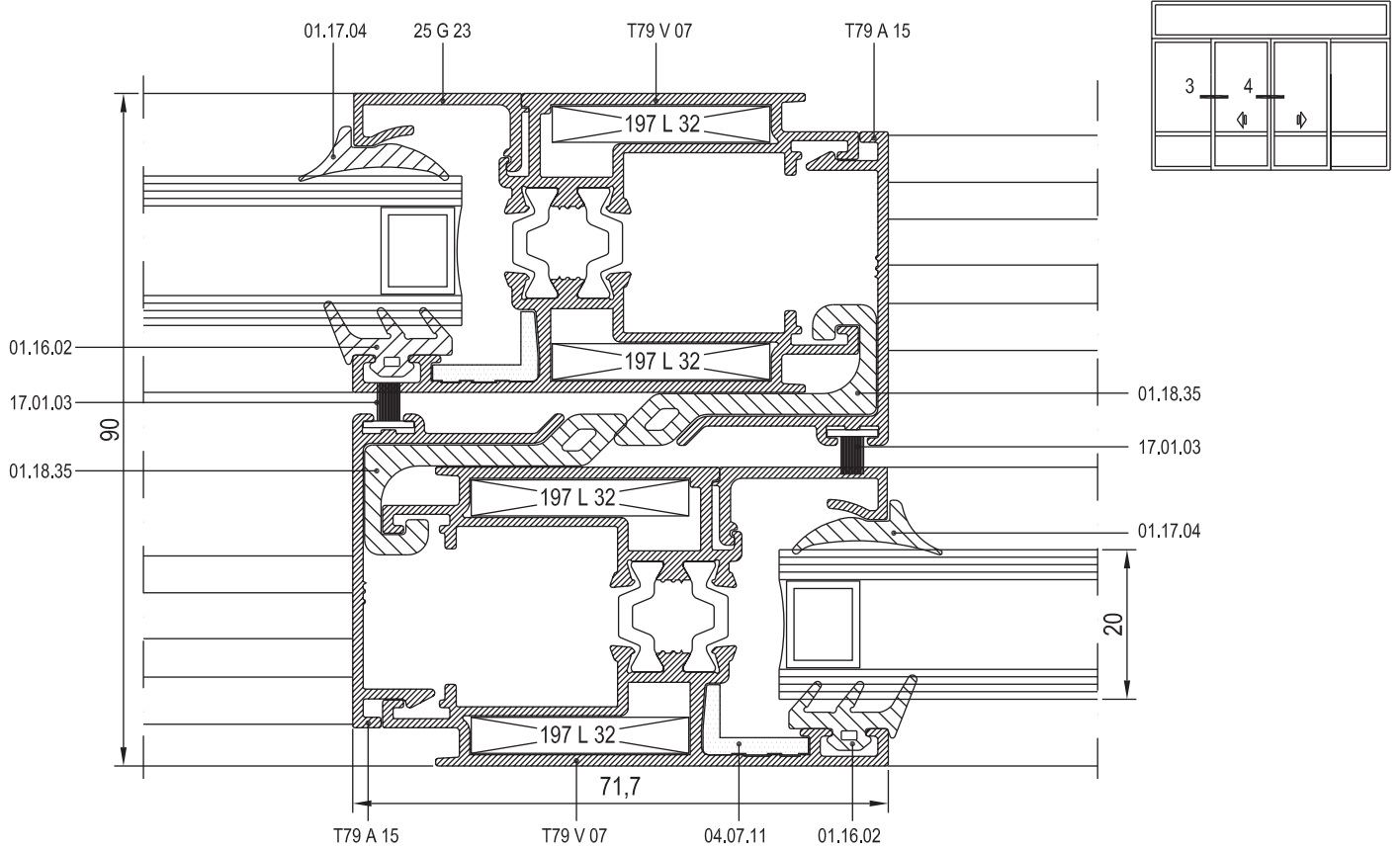
21

22

23

24

25



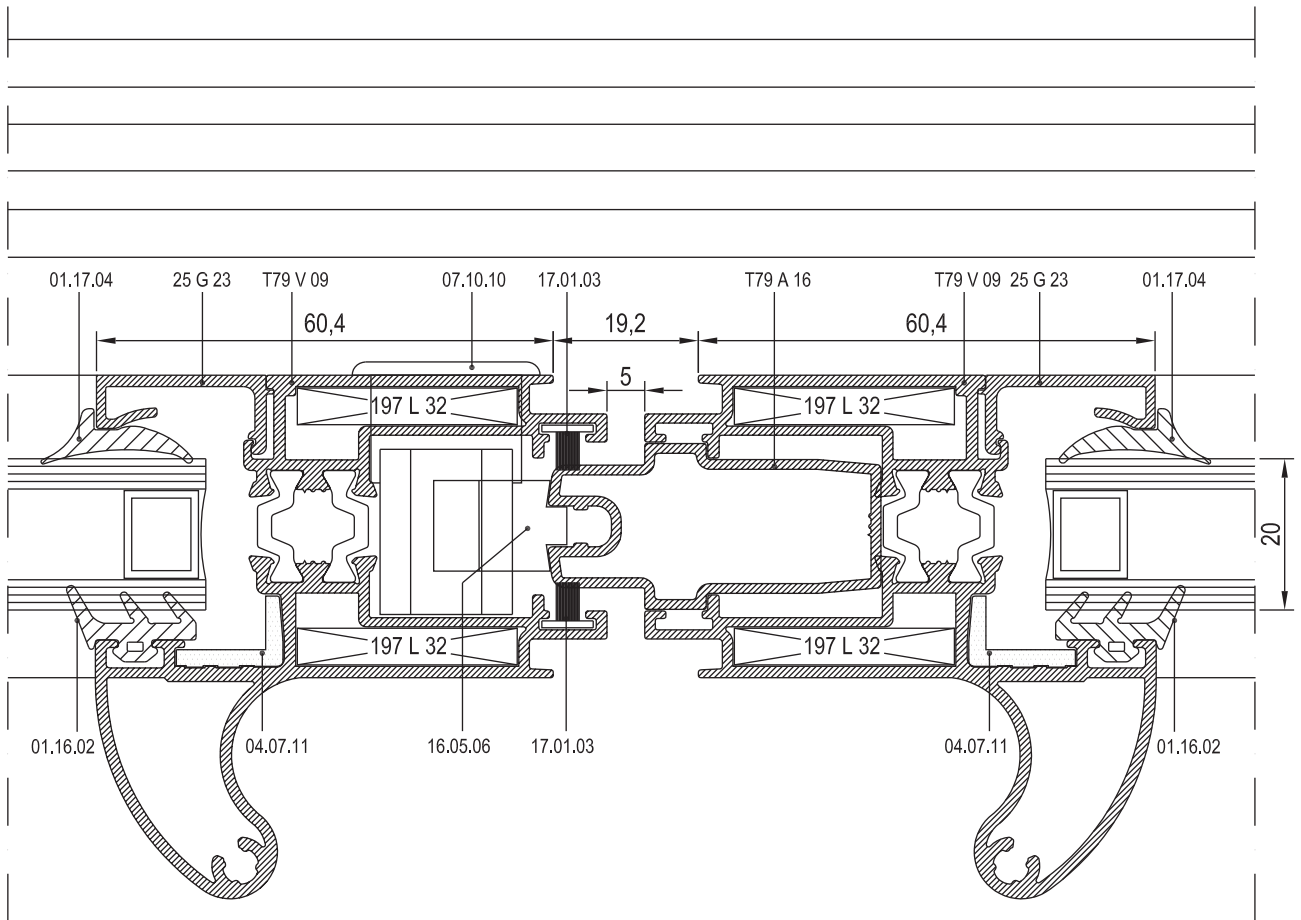
26

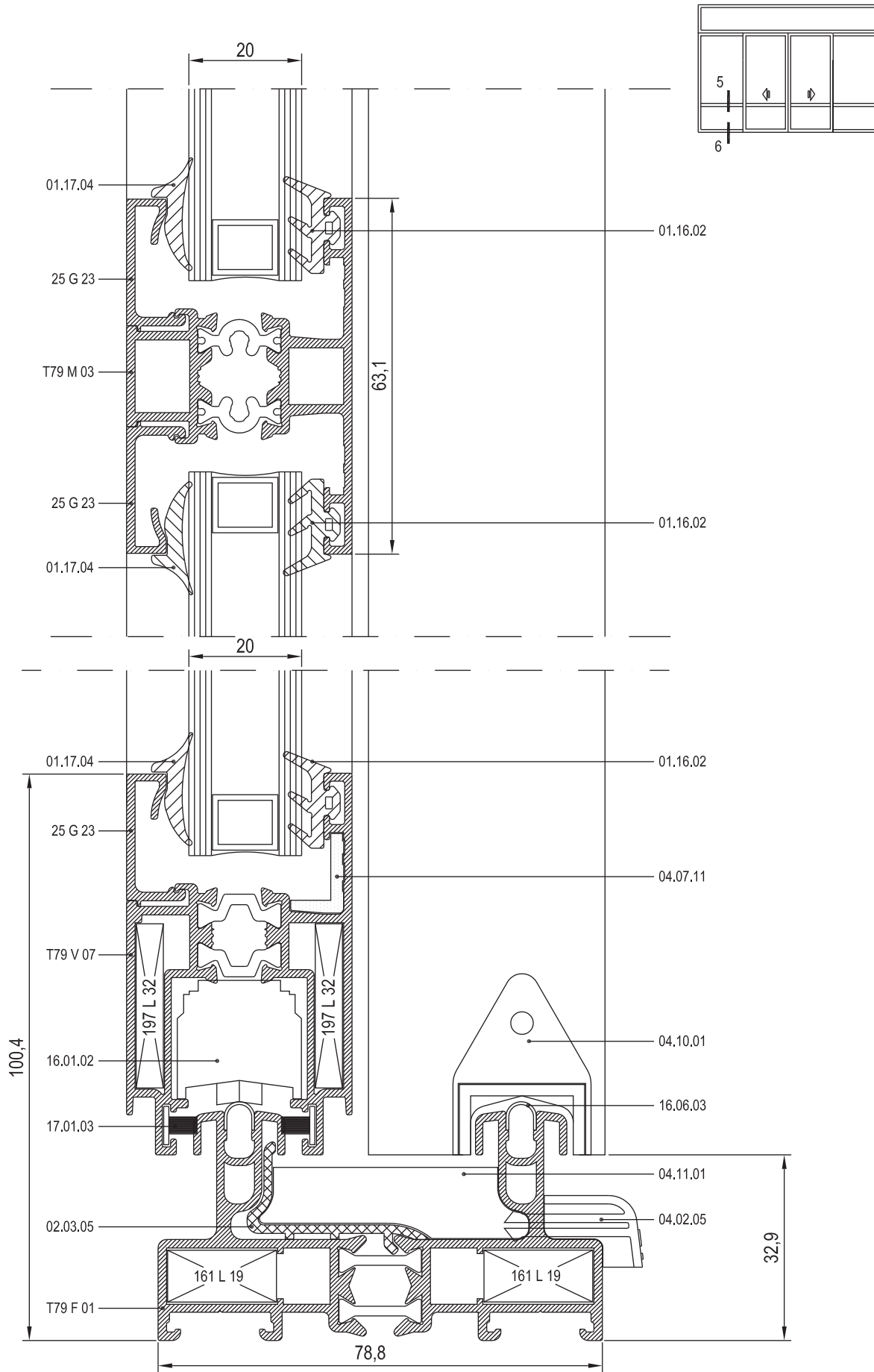
27

28

29

30





21

22

23

24

25

26

27

28

29

30



21

22

23

24

25

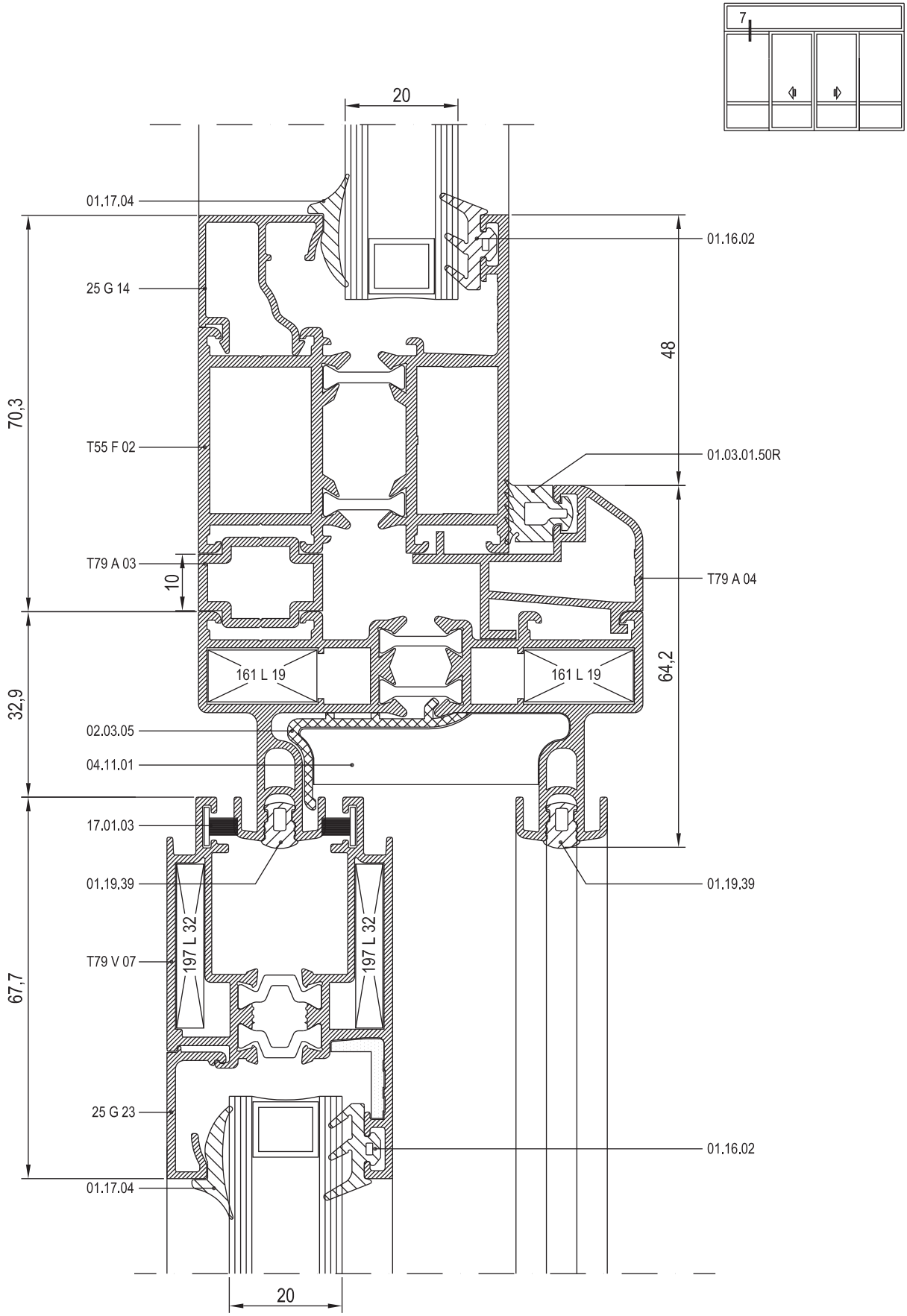
26

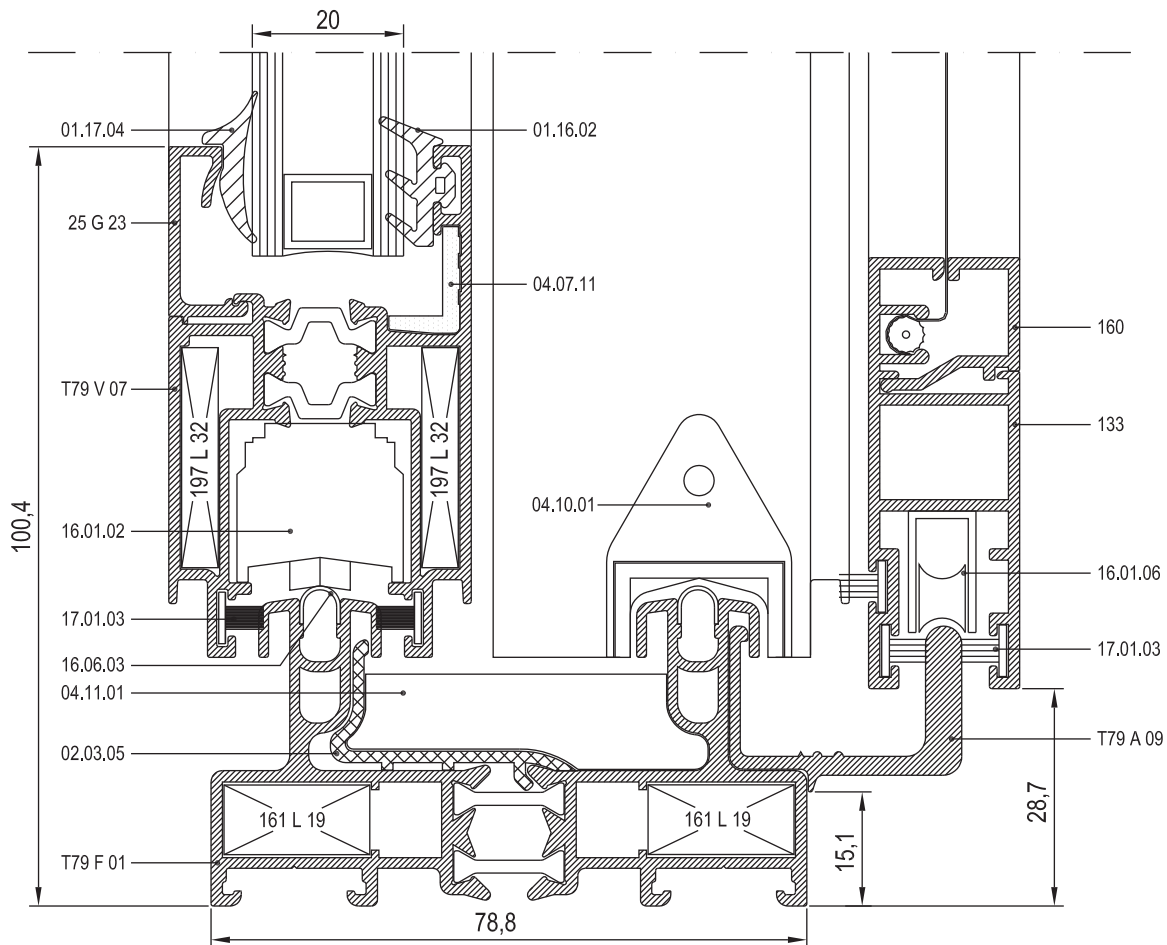
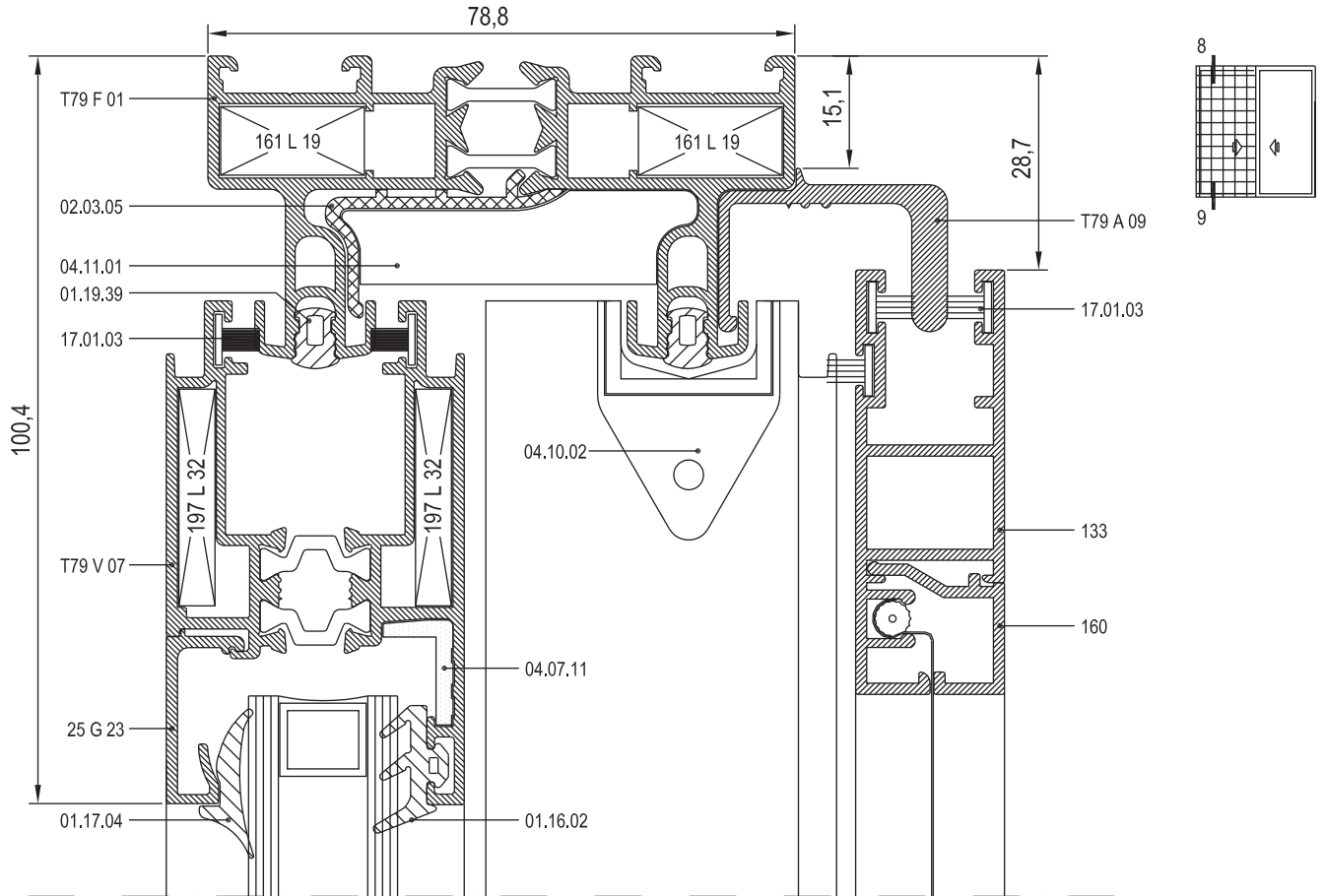
27

28

29

30







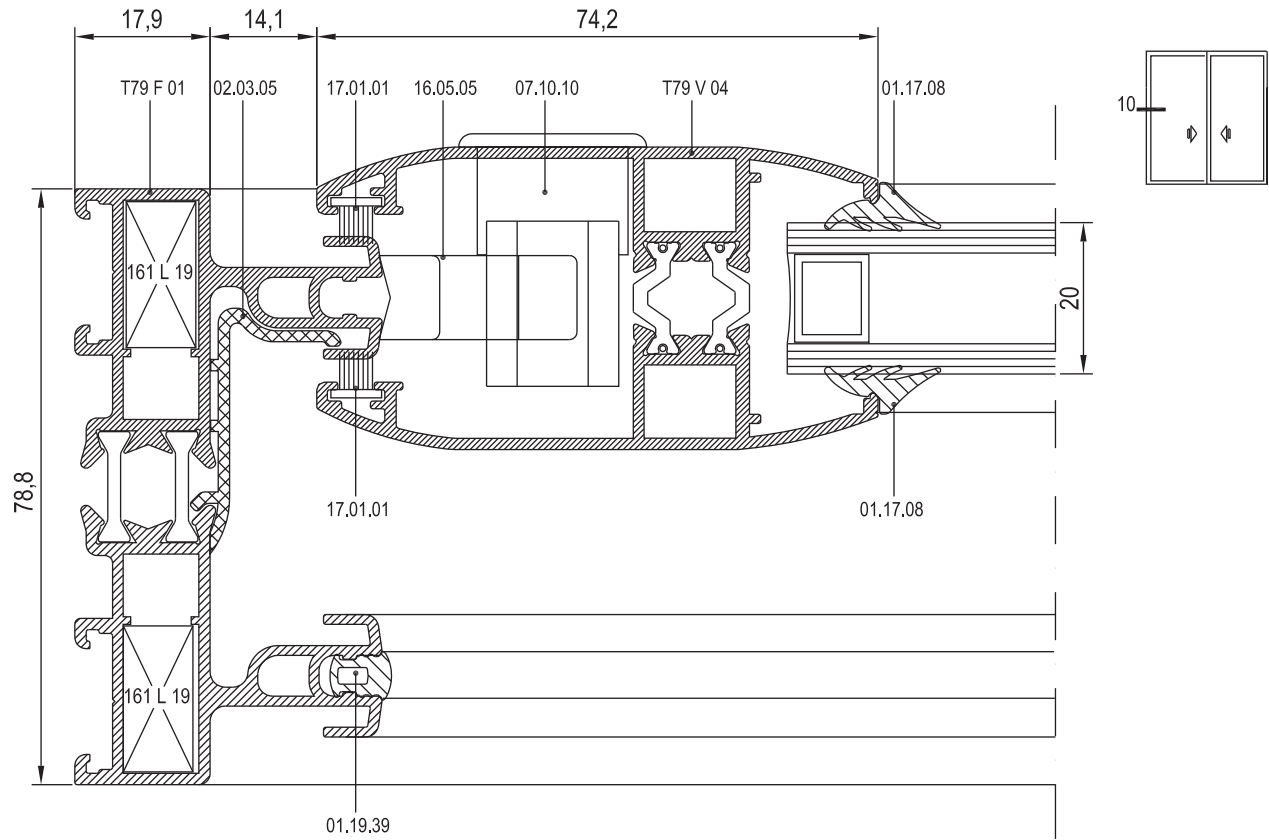
21

22

23

24

25



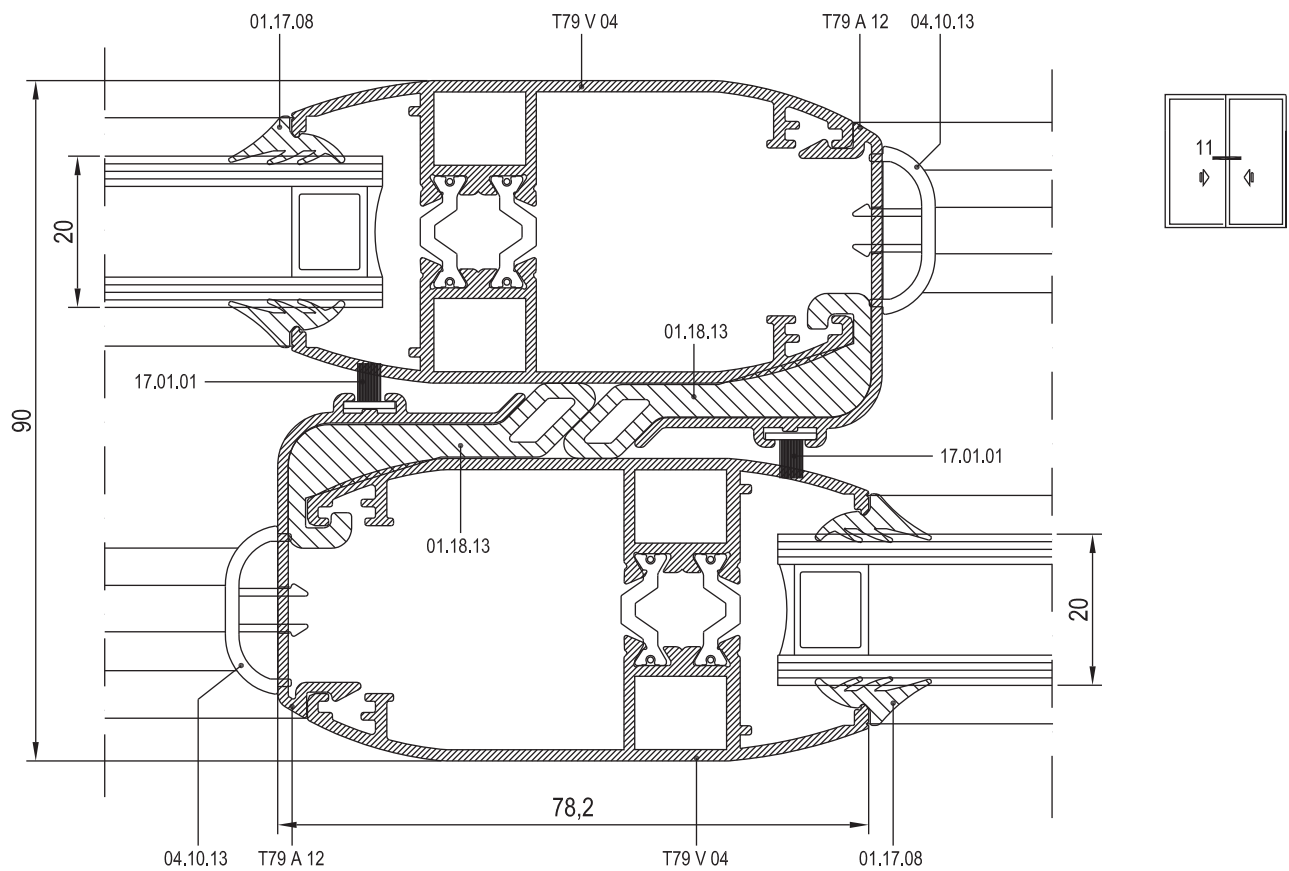
26

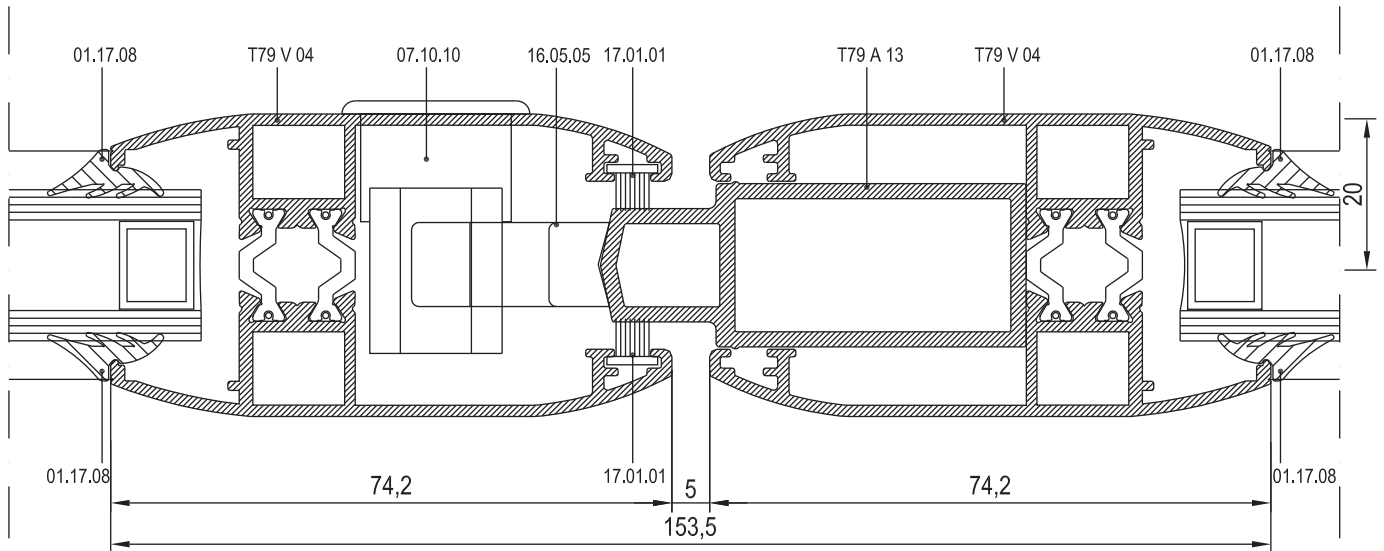
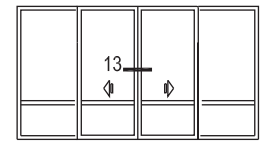
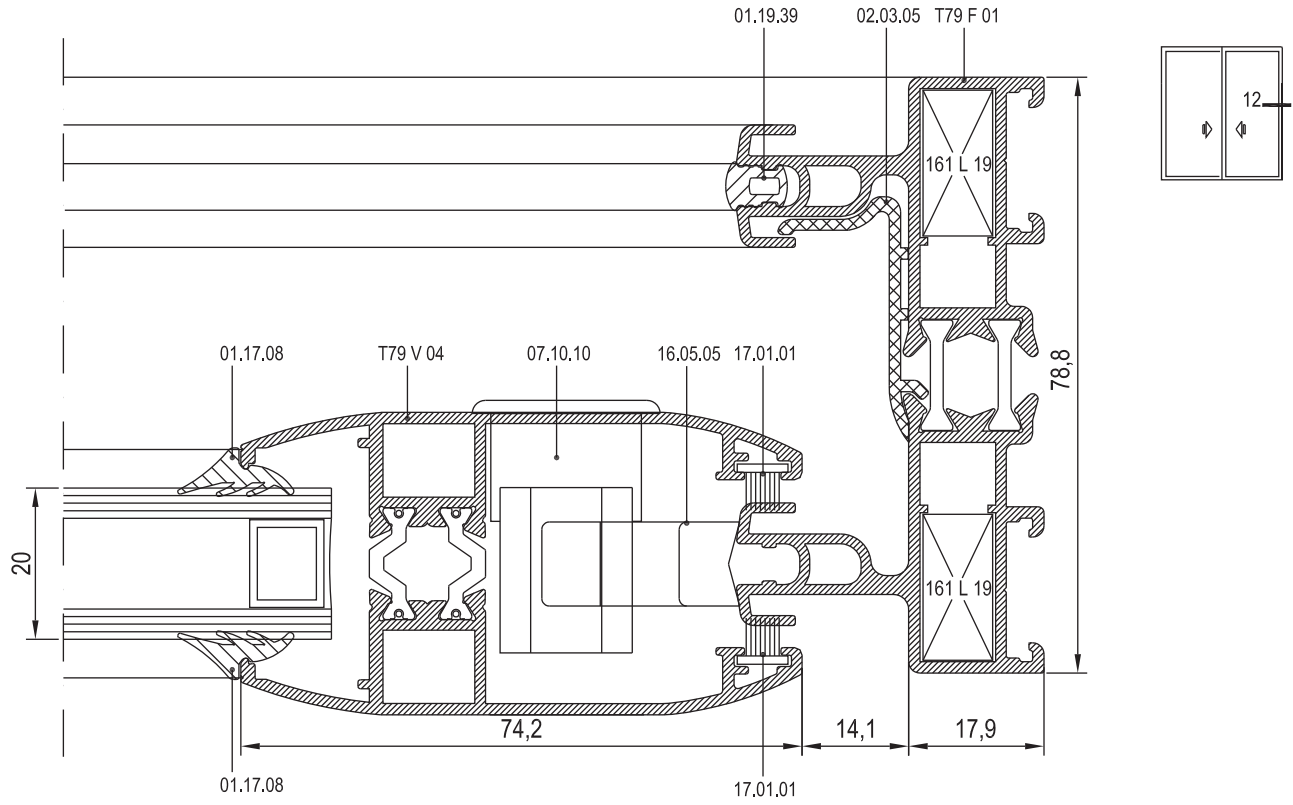
27

28

29

30





21

22

23

24

25

26

27

28

29

30



21

22

23

24

25

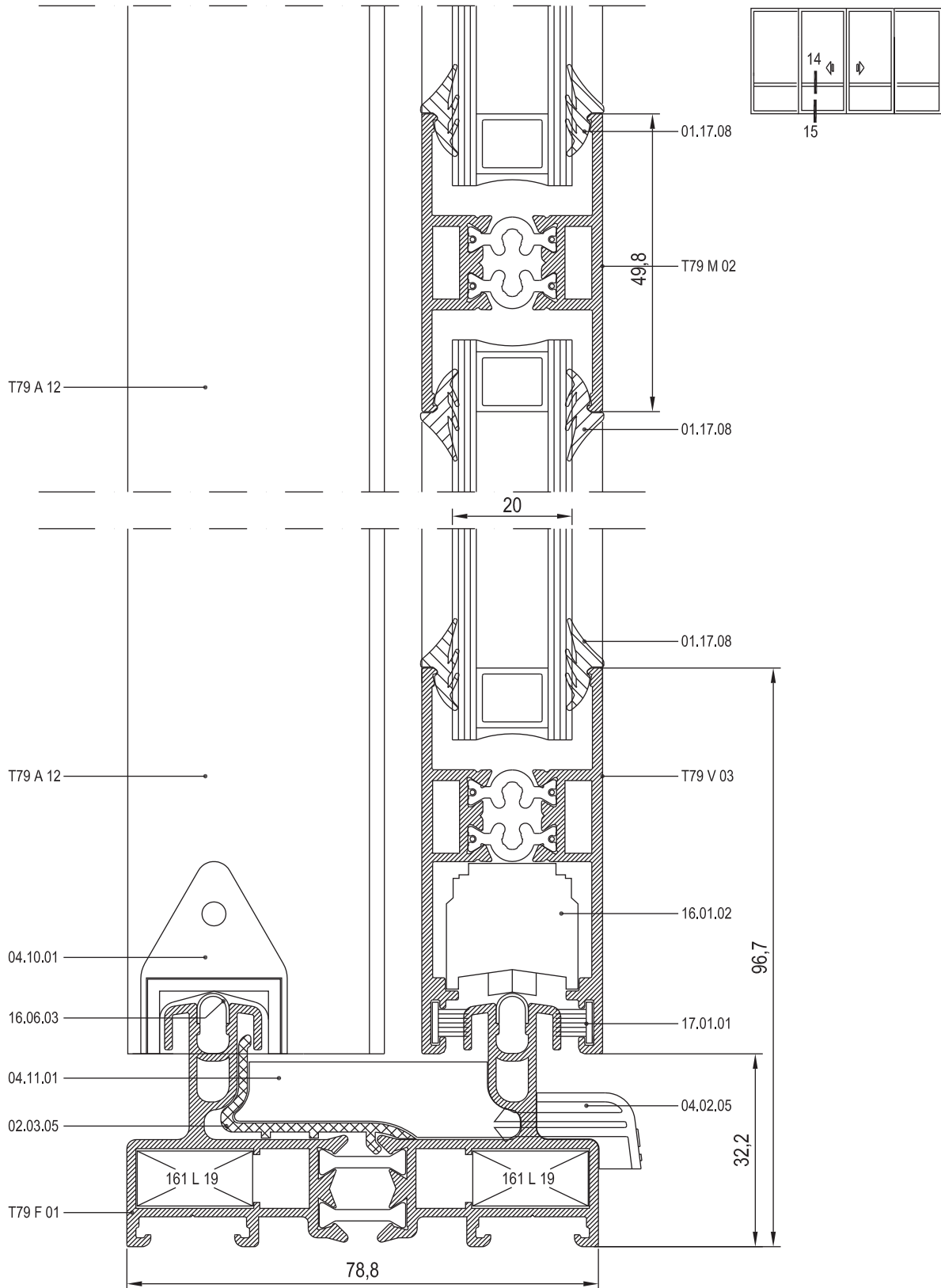
26

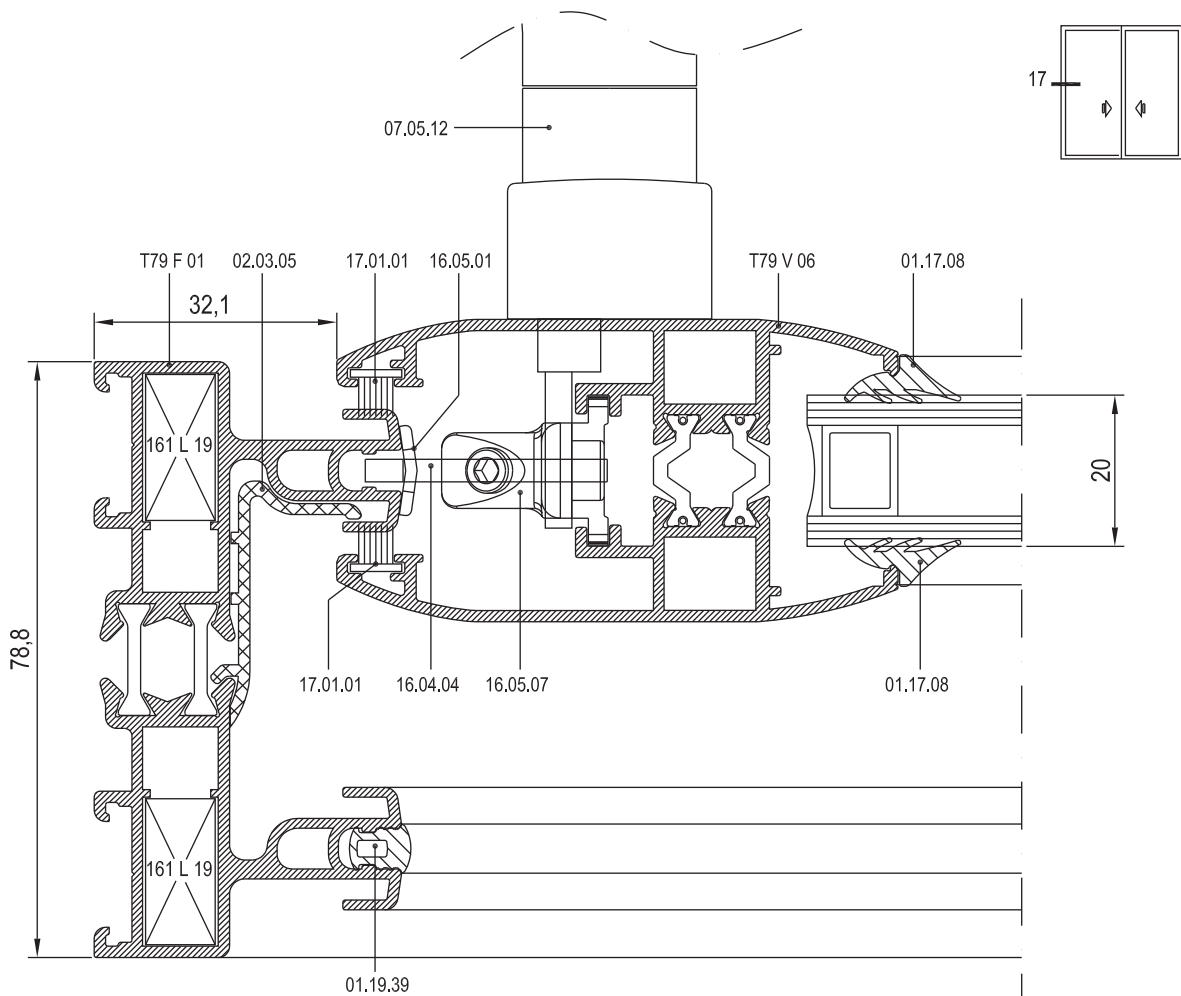
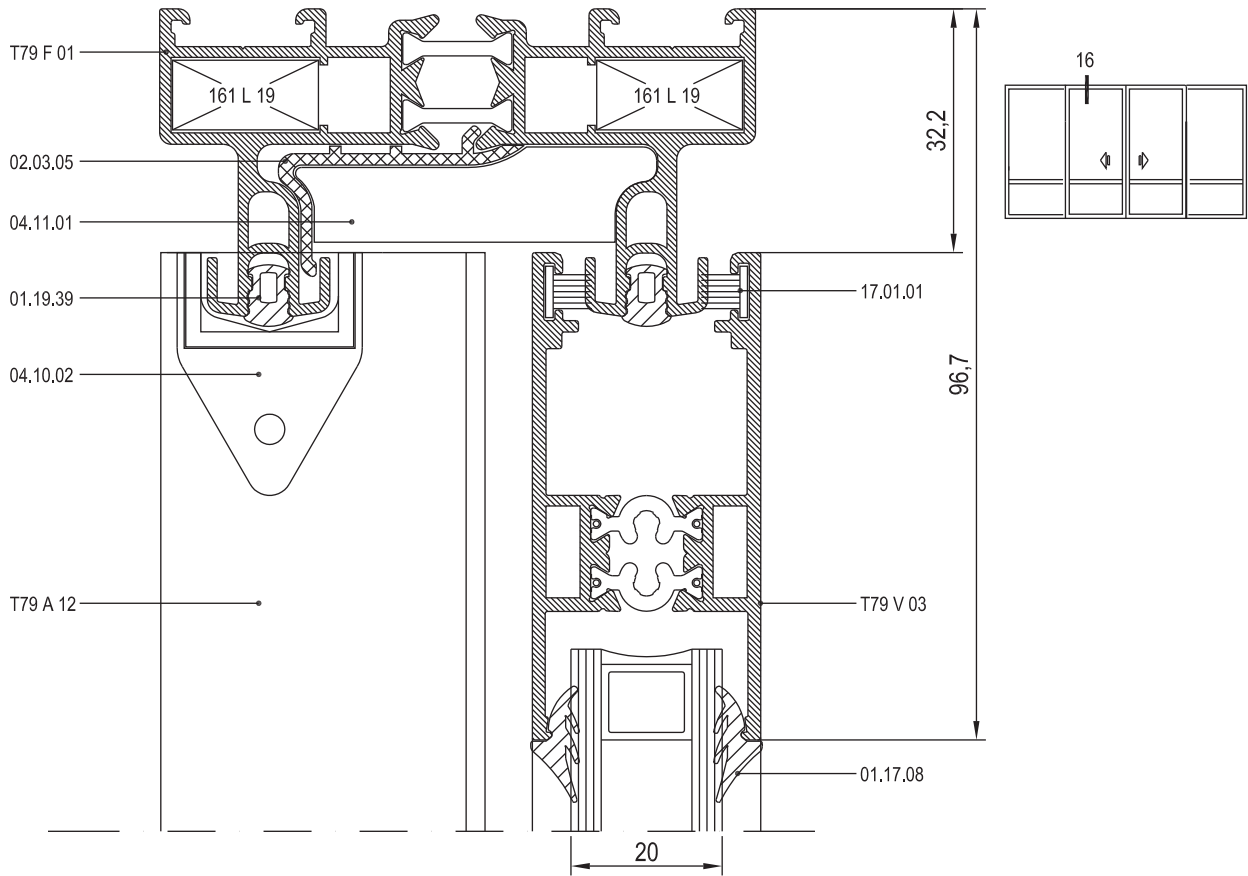
27

28

29

30





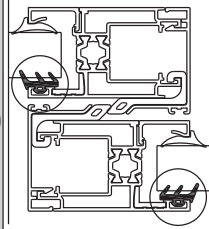


21



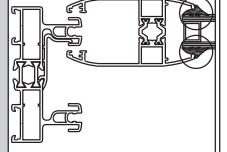
01.16.02

DIŞ CAM FİTİLİ
GLAZING GASKET (OUTSIDE)
EPDM
90 gr/m

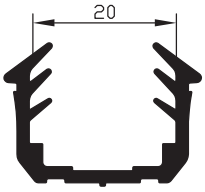


01.17.08

CAM FİTİLİ
GLAZING GASKET
EPDM
50 gr/m

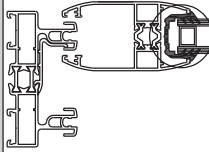


22



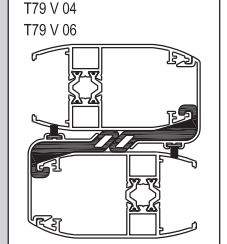
01.16.04

CAM FİTİLİ
GLAZING GASKET
EPDM
189 gr/m

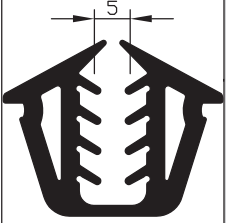


01.18.13

KENET FİTİLİ
CONNECTION GASKET
EPDM
347 gr/m

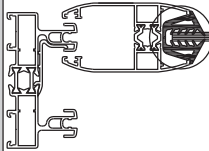


23



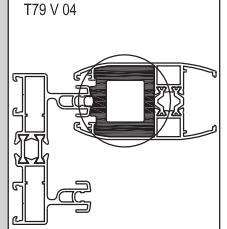
01.16.13

CAM FİTİLİ
GLAZING GASKET
EPDM
371 gr/m

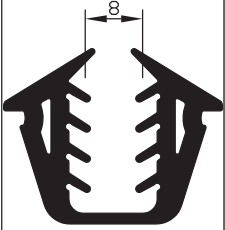


01.18.14

STOPER FİTİLİ
STOPPER GASKET
EPDM

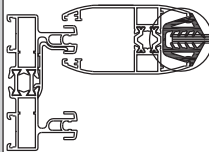


24



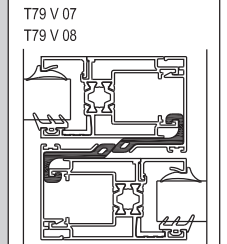
01.16.15

CAM FİTİLİ
GLAZING GASKET
EPDM
344 gr/m



01.18.35

KENET FİTİLİ
CONNECTION GASKET
EPDM
214 gr/m



25

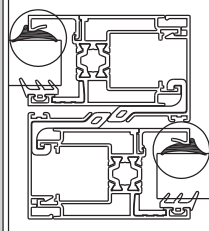
26

27



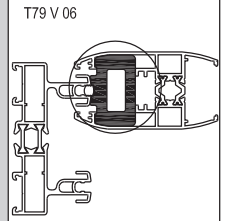
01.17.03

İÇ CAM FİTİLİ
GLAZING GASKET (INSIDE)
EPDM
46 gr/m



01.18.36

STOPER FİTİLİ
STOPPER GASKET
EPDM

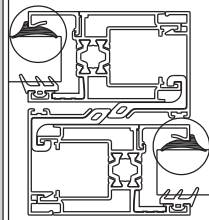


28



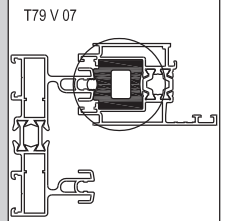
01.17.04

İÇ CAM FİTİLİ
GLAZING GASKET (INSIDE)
EPDM
55 gr/m



01.18.37

STOPER FİTİLİ
STOPPER GASKET
EPDM

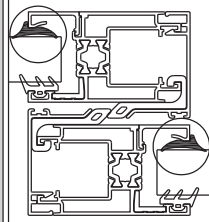


29



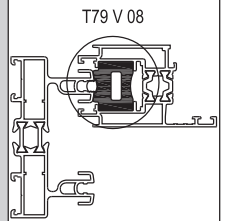
01.17.05

İÇ CAM FİTİLİ
GLAZING GASKET (INSIDE)
EPDM
60 gr/m




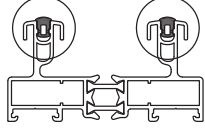
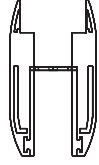
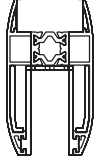
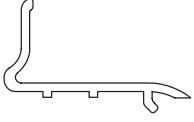
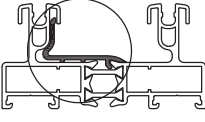
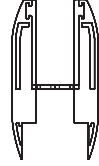
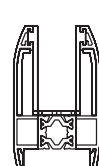
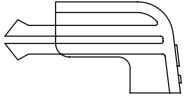
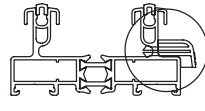

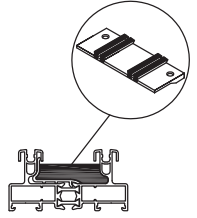

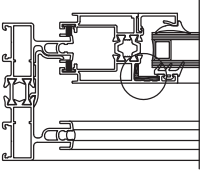
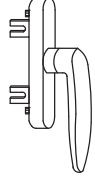
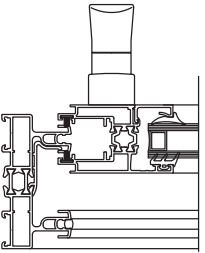
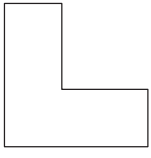


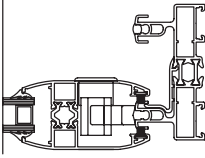
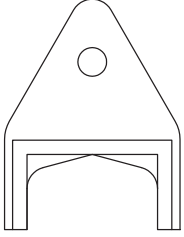
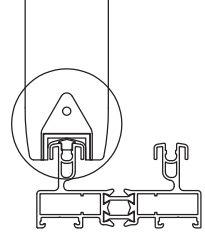
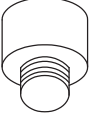
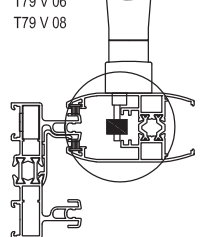
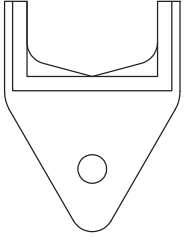
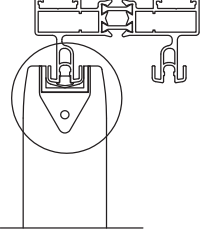
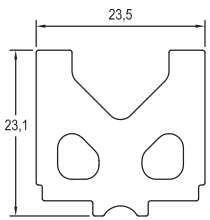
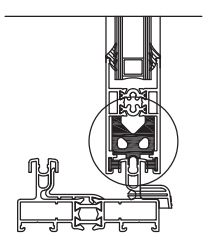
01.18.38

STOPER FİTİLİ
STOPPER GASKET
EPDM



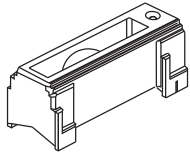
30



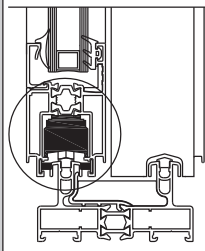
	01.19.39 RAY FITİLİ RAIL GASKET EPDM 51 gr/m			04.10.14A PVC KANAT KAPAĞI PVC VENT CAP	T79 V 04 	21
	02.03.05 PVC ADAPTÖR PVC ADAPTER			04.10.14B PVC KANAT KAPAĞI PVC VENT CAP	T79 V 04 	22
	04.02.05 TAHLİYE KAPAĞI DRAINAGE COVER PVC			04.11.01 TOZLUK PARÇASI SEALING PART PVC		23
	04.07.11 KÖŞE PLASTİK TAKOZU CORNER PART PVC			07.05.12 İSPANYOLET KOL ÇİFT DİLLİ WINDOW HANDLE SİYAH-BEYAZ-GRİ BLACK-WHITE-GREY		24
	04.07.14 KÖŞE PLASTİK TAKOZU CORNER PART PVC			07.10.10 SÜRME KİLİT SLIDING LOCK SİYAH-BEYAZ-GRİ BLACK-WHITE-GREY		25
	04.10.01 PVC KANAT KAPAĞI PVC VENT CAP			07.13.02 ORTA GÖBEK PİMİ LOCK PIN	T79 V 06 T79 V 08 	26
	04.10.02 PVC KANAT KAPAĞI PVC VENT CAP			11.05.04 SABİTLEME TAKOZU FIXING PART		27
						28
						29
						30



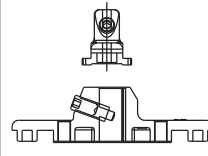
21



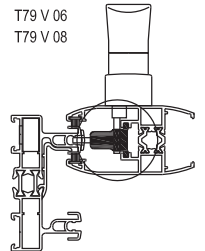
16.01.01
TEKLİ RULMAN
SINGLE BEARING



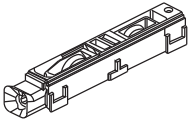
22



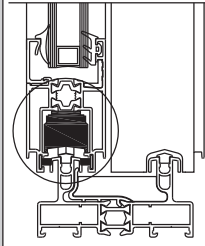
16.05.07
KİLİT ADAPTÖRÜ
LOCK ADAPTER

T79 V 06
T79 V 08

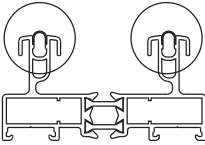
23



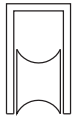
16.01.02
AYARLI ÇİFTLİ RULMAN
ADJUSTABLE BEARING



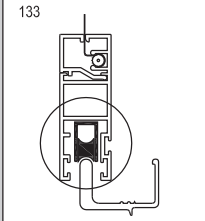
16.06.03
ÇELİK RAY
STEEL RAIL
2 MT



24



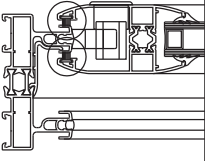
16.01.06
SİNEKLİK RULMANI
BEARING FOR FLYING SCREEN



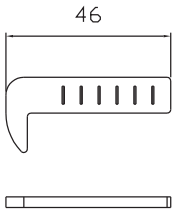
133

17.01.01
KİL FİTİL
BRUSH

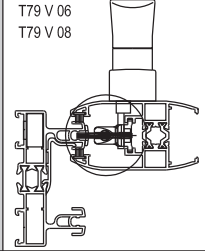
1 PAKET : 275 Mt
1 PACKAGE : 275 Mt



25

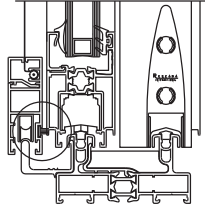


16.04.04
DİL
BOLT

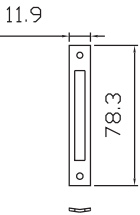
T79 V 06
T79 V 08

17.01.03
KİL FİTİL
BRUSH

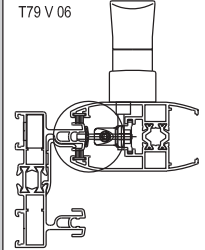
1 PAKET : 125 Mt
1 PACKAGE : 125 Mt



26

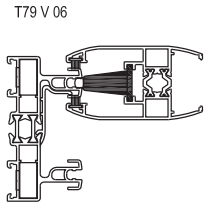


16.05.02
SÜRME KİLİT KARŞILIĞI
FOREND



T79 V 06

19.01.06
STOPER
STOPPER

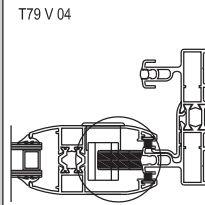


T79 V 06

27



16.05.05
SÜRME KİLİT ADAPTÖRÜ
LOCK ADAPTER

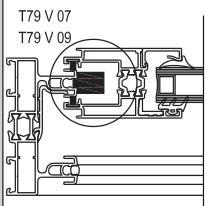


T79 V 04

29



16.05.06
SÜRME KİLİT ADAPTÖRÜ
LOCK ADAPTER

T79 V 07
T79 V 09

30

RESCARA SİSTEM

Alüminyum Kapı Pencere ve
Giydirme Cephe Sistemleri



21

22

23

24

25

26

27

28

29

30

RESCARA SİSTEM

Alüminyum Kapı Pencere ve
Giydirme Cephe Sistemleri



21

22

23

24

25

26

27

28

29

30