

MİMARİ KATALOG :

Alüminyum Kapı Pencere ve
Giydirme Cephe Sistemleri



RESCARA
SİSTEM
PROFİL
DETAYLARI



RS70

RESCARA SİSTEM

Alüminyum Kapı Pencere ve
Giydirme Cephe Sistemleri



21

22

23

24

25

26

27

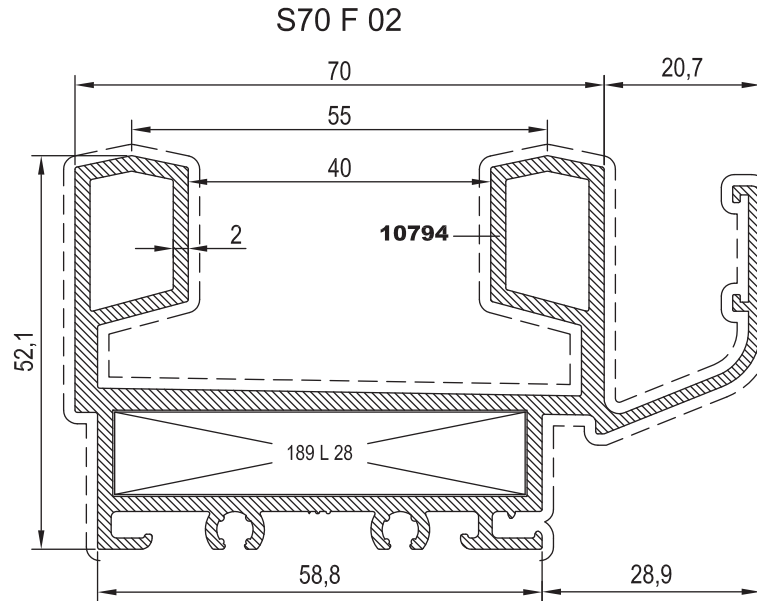
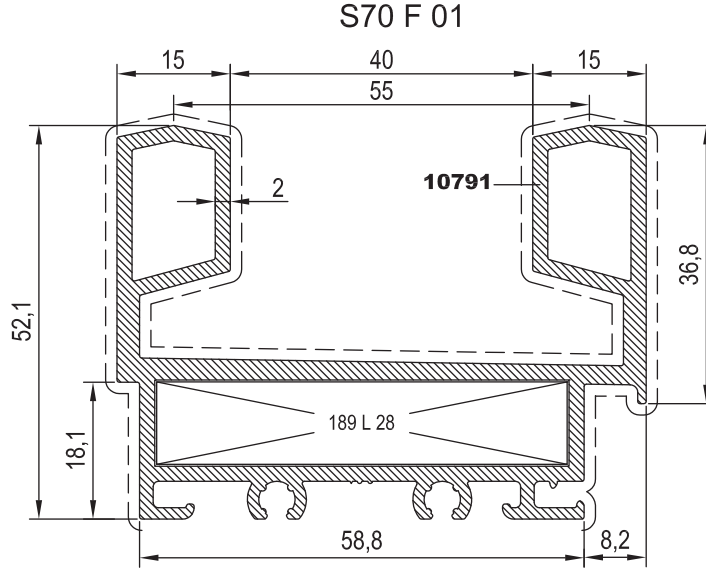
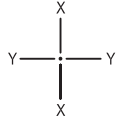
28



29

30



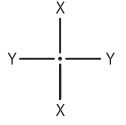
| KOD / CODE | AĞIRLIK (kg/m) / WEIGHT | Jxx cm4 | Jyy cm4 | L m |
|------------|-------------------------|---------|---------|-----|
| S70 F 01 | 1,946 | 43,803 | 16,931 | 6 |
| S70 F 02 | 2,162 | 62,609 | 18,031 | 6 |



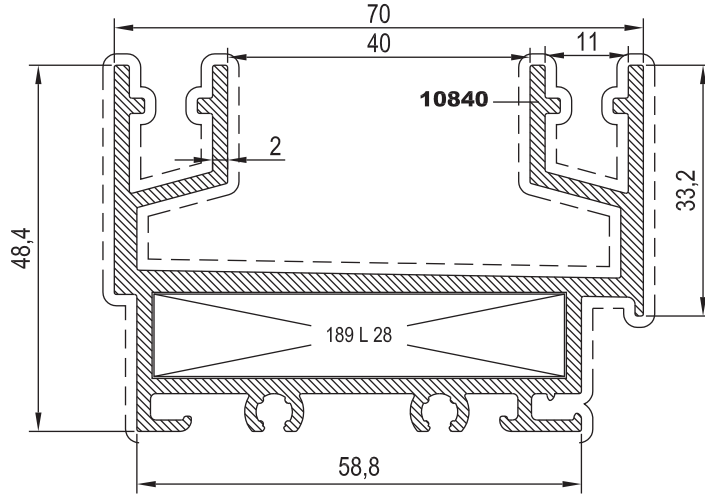
| Nr | |  L m | KESİM ÖLÇÜSÜ CUTTING SIZE |  AKS, KODU ACS, CODE |
|----------|-------|---|------------------------------|--|
| S70 F 01 | 10791 | 25 L 28 (10542) | 54,5 mm | 189 L 28 |
| S70 F 02 | 10794 | | | |



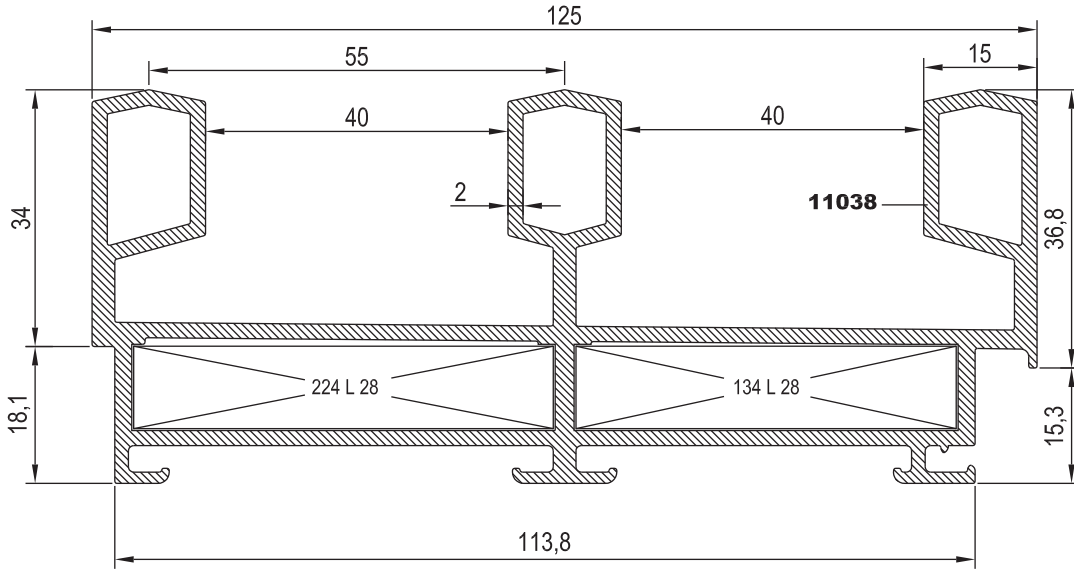
| KOD / CODE | AĞIRLIK (kg/m) / WEIGHT | Jxx cm ⁴ | Jyy cm ⁴ | L m |
|------------|-------------------------|---------------------|---------------------|-----|
| S70 F 04 | 1,817 | 40,129 | 12,513 | 6 |
| S70 F 05 | 2,971 | 186,075 | 25,181 | 6 |



S70 F 04



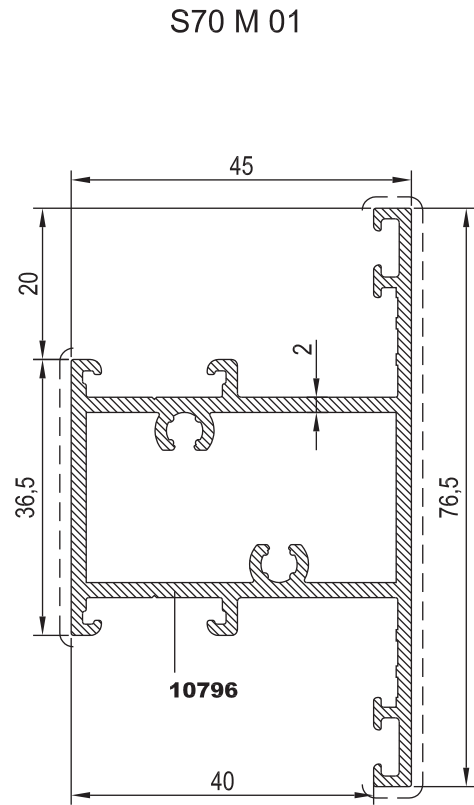
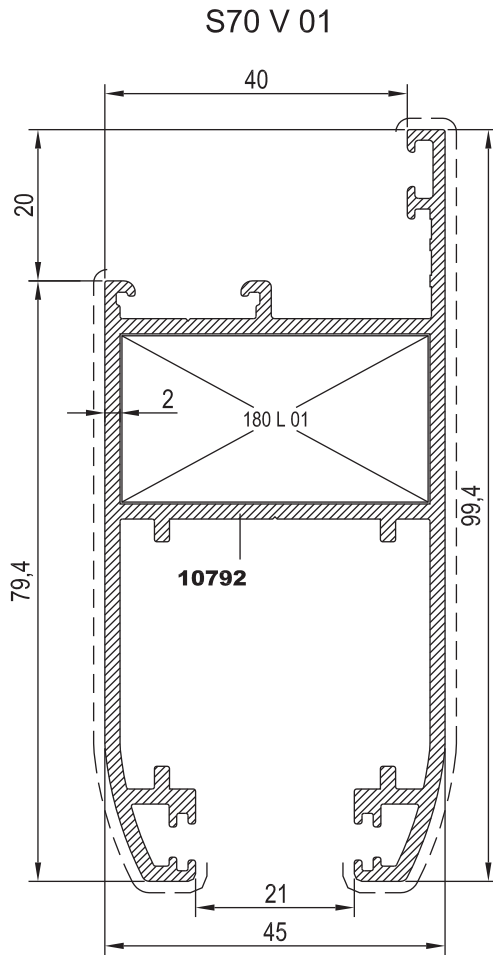
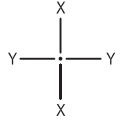
S70 F 05




| Nr | | L m | KEŞİM ÖLÇÜSÜ CUTTING SIZE | AKS. KODU ACS. CODE |
|----------|-------|-----------------|------------------------------|------------------------|
| S70 F 04 | 10840 | 25 L 28 (10542) | 54,5 mm | 189 L 28 |
| S70 F 05 | 11038 | 25 L 28 (10542) | 55,6 mm | 224 L 28 |
| | | | 50,1 mm | 134 L 28 |



| KOD / CODE | AĞIRLIK (kg/m) / WEIGHT | Jxx cm ⁴ | Jyy cm ⁴ | L m |
|------------|-------------------------|---------------------|---------------------|-----|
| S70 V 01 | 1,742 | 20,508 | 47,682 | 6 |
| S70 M 01 | 1,274 | 12,854 | 13,695 | 6 |



| Nr |  L m | KESİM ÖLÇÜSÜ CUTTING SIZE | AKS. KODU ACS. CODE |
|----------|---|------------------------------|------------------------|
| S70 V 01 | 10792 | 25 L 01 (2019) | 40,7 mm |
| | | | 180 L 01 |

21

22

23

24

25

26

27

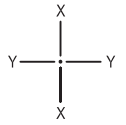
28

29

30



| KOD / CODE | AĞIRLIK (kg/m) / WEIGHT | Jxx cm4 | Jyy cm4 | L m |
|------------|-------------------------|---------|---------|-----|
| S70 A 01 | 0,686 | --- | --- | 6 |
| S70 A 02 | 0,916 | --- | --- | 6 |
| S70 A 04 | 0,403 | --- | --- | 6 |



21

22

23

24

25

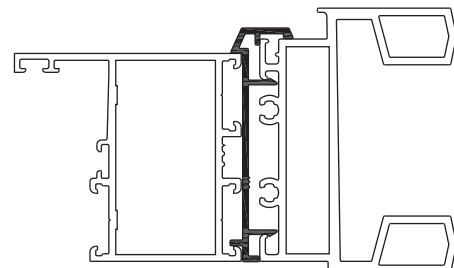
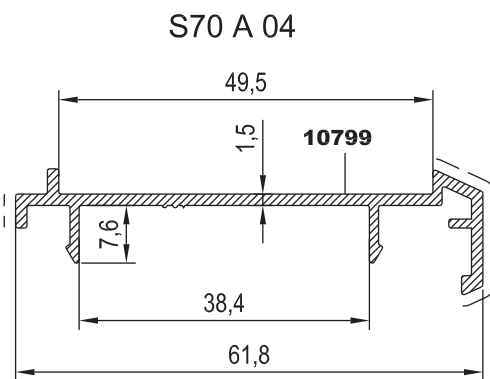
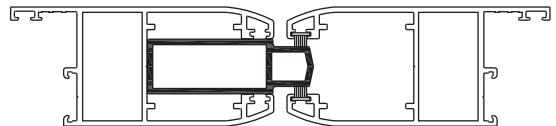
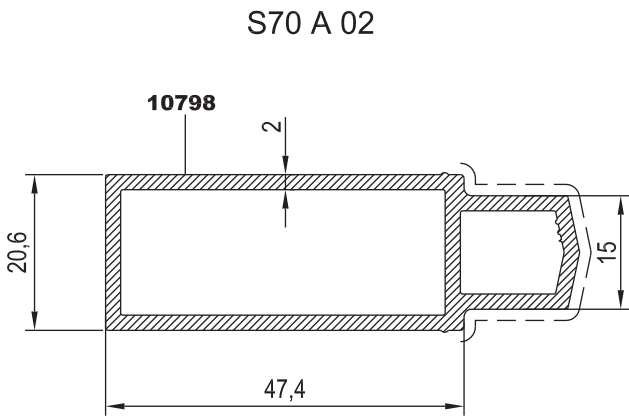
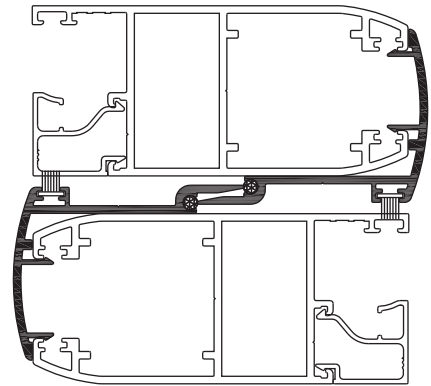
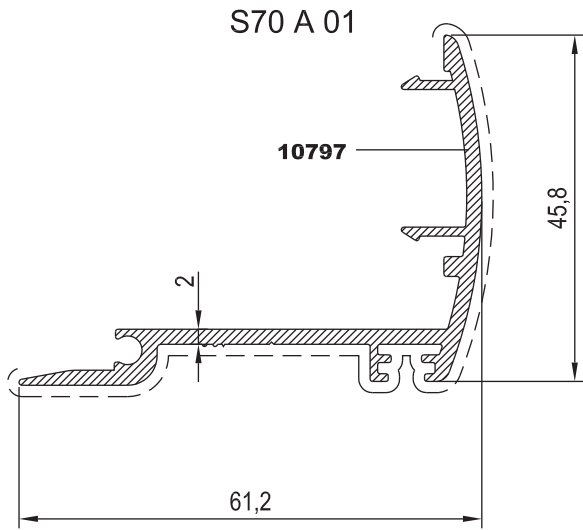
26

27

28

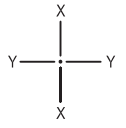
29

30

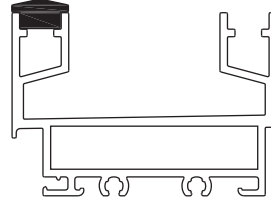
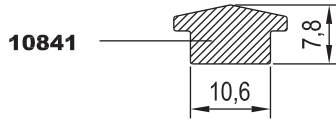




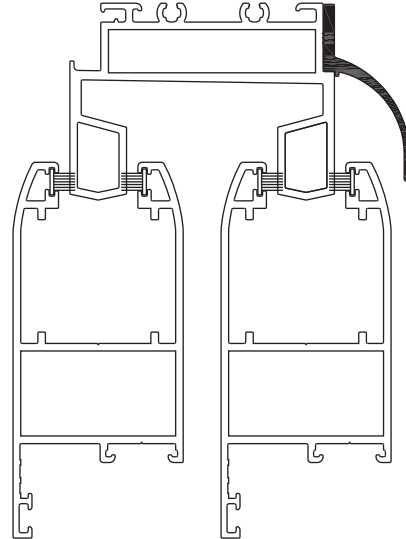
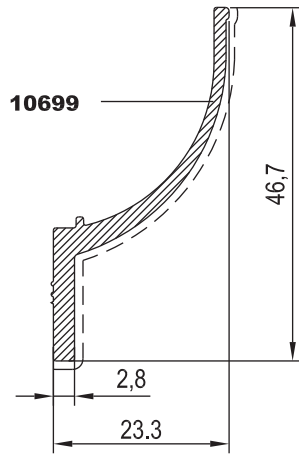
| KOD / CODE | AĞIRLIK (kg/m) / WEIGHT | Jxx cm ⁴ | Jyy cm ⁴ | L m |
|------------|-------------------------|---------------------|---------------------|-----|
| S70 A 06 | 0,233 | --- | --- | 6 |
| S58 A 08 | 0,352 | --- | --- | 6 |
| S58 A 03 | 0,532 | --- | --- | 6 |



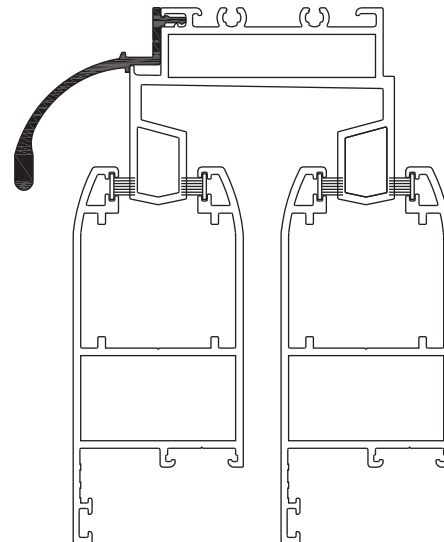
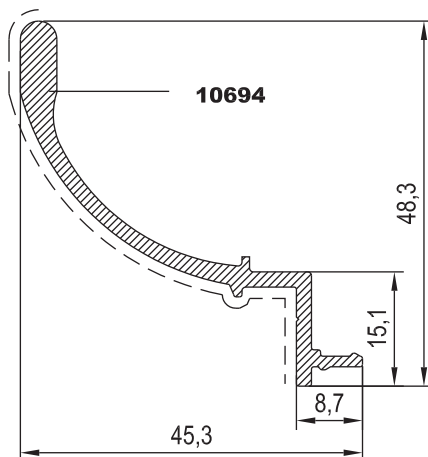
S70 A 06



S58 A 08



S58 A 03



21

22

23

24

25

26

27

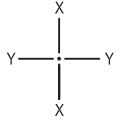
28

29

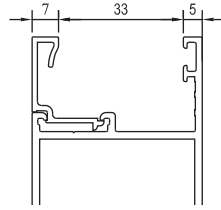
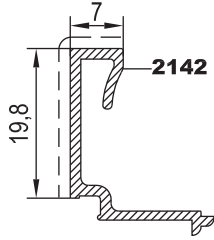
30



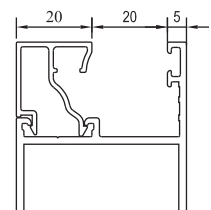
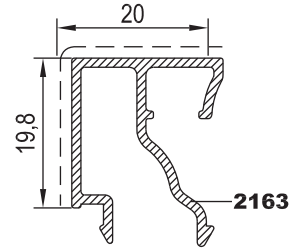
| KOD / CODE | AĞIRLIK (kg/m) / WEIGHT | L m | KOD / CODE | AĞIRLIK (kg/m) / WEIGHT | L m |
|------------|-------------------------|-----|------------|-------------------------|-----|
| 25 G 21 | 0,196 | 6 | 25 G 13 | 0,277 | 6 |
| 25 G 11 | 0,219 | 6 | 25 G 14 | 0,281 | 6 |
| 25 G 10 | 0,225 | 6 | 25 G 15 | 0,282 | 6 |
| 25 G 09 | 0,227 | 6 | 25 G 16 | 0,284 | 6 |
| 25 G 12 | 0,269 | 6 | 25 G 17 | 0,289 | 6 |



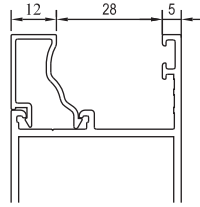
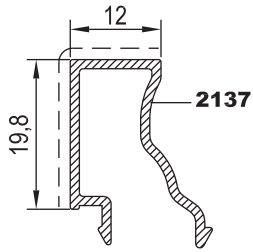
25 G 21



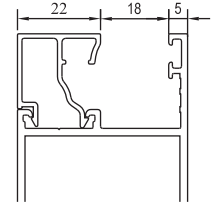
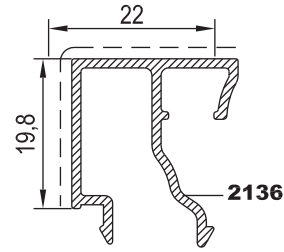
25 G 13



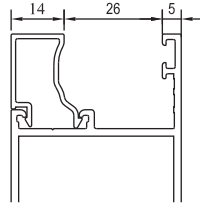
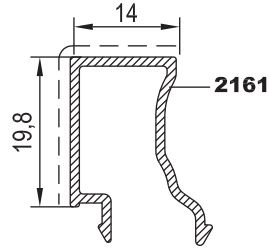
25 G 11



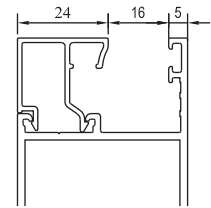
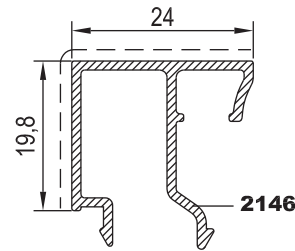
25 G 14



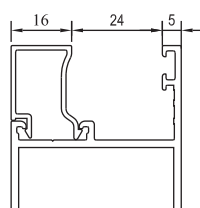
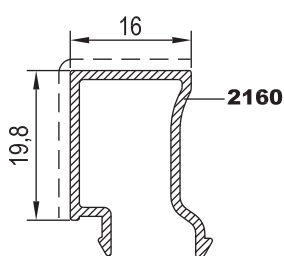
25 G 10



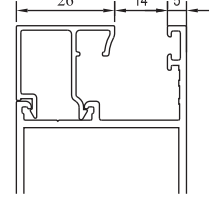
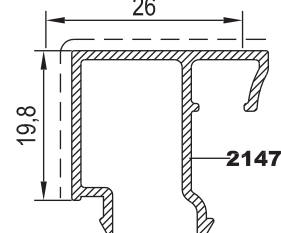
25 G 15



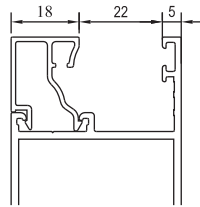
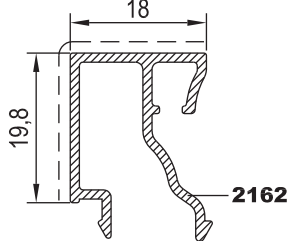
25 G 09



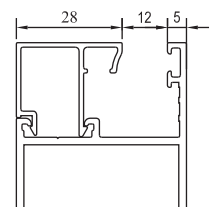
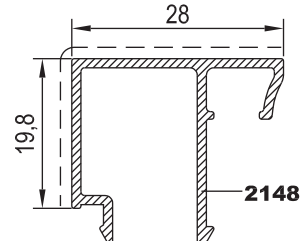
25 G 16



25 G 12

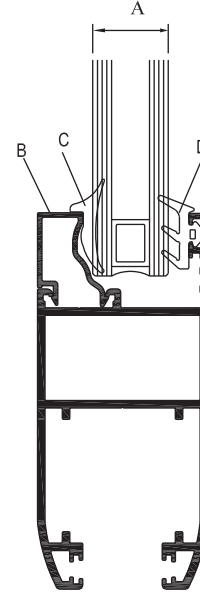


25 G 17





| B, CAM ÇITASI GLAZING BEAD | C, İÇ CAM FITİLİ GLAZING GASKET | A, CAM KALINLIĞI GLASS THICKNESS | D, DIŞ CAM FITİLİ GLAZING GASKET |
|----------------------------------|---------------------------------------|--|--|
| 25 G 17 | 01.17.04 | 4 mm | 01.16.02 |
| 25 G 17 | 01.17.03 | 5 mm | 01.16.02 |
| 25 G 16 | 01.17.04 | 6 mm | 01.16.02 |
| 25 G 16 | 01.17.03 | 7 mm | 01.16.02 |
| 25 G 15 | 01.17.04 | 8 mm | 01.16.02 |
| 25 G 15 | 01.17.03 | 9 mm | 01.16.02 |
| 25 G 14 | 01.17.04 | 10 mm | 01.16.02 |
| 25 G 14 | 01.17.03 | 11 mm | 01.16.02 |
| 25 G 13 | 01.17.04 | 12 mm | 01.16.02 |
| 25 G 13 | 01.17.03 | 13 mm | 01.16.02 |
| 25 G 12 | 01.17.04 | 14 mm | 01.16.02 |
| 25 G 12 | 01.17.03 | 15 mm | 01.16.02 |
| 25 G 09 | 01.17.04 | 16 mm | 01.16.02 |
| 25 G 09 | 01.17.03 | 17 mm | 01.16.02 |
| 25 G 10 | 01.17.04 | 18 mm | 01.16.02 |
| 25 G 10 | 01.17.03 | 19 mm | 01.16.02 |
| 25 G 11 | 01.17.04 | 20 mm | 01.16.02 |
| 25 G 11 | 01.17.03 | 21 mm | 01.16.02 |
| 25 G 21 | 01.17.05 | 24 mm | 01.16.02 |
| 25 G 21 | 01.17.04 | 25 mm | 01.16.02 |
| 25 G 21 | 01.17.03 | 26 mm | 01.16.02 |


TAKOZLAR (CLEATS)

| PROFİL KODU (PROFILE CODE) | 25 L 01 | 25 L 28 | | |
|-----------------------------|------------|------------|--|--|
| FABRİKA KODU (FACTORY CODE) | 2019 | 10542 | | |
| AĞIRLIK (WEIGHT) | 5,894 kg/m | 3,689 kg/m | | |
| ÇİZİM (DRAWING) | | | | |

KÖŞE TAKOZLARI (CORNER CLEATS)

| Nr | | | KESİM ÖLÇÜSÜ CUTTING SIZE | AKS. KODU ACS. CODE |
|----------|-------|-----------------|------------------------------|------------------------|
| S70 F 01 | 10791 | 25 L 28 (10542) | 54,5 mm | 189 L 28 |
| S70 F 02 | 10794 | 25 L 28 (10542) | 54,5 mm | 189 L 28 |
| S70 F 04 | 10840 | 25 L 28 (10542) | 54,5 mm | 189 L 28 |
| S70 F 05 | 11038 | 25 L 28 (10542) | 55,6 mm | 224 L 28 |
| | | 25 L 28 (10542) | 50,1 mm | 134 L 28 |
| S70 V 01 | 10792 | 25 L 01 (2019) | 40,7 mm | 180 L 01 |



21

22

23

24

25

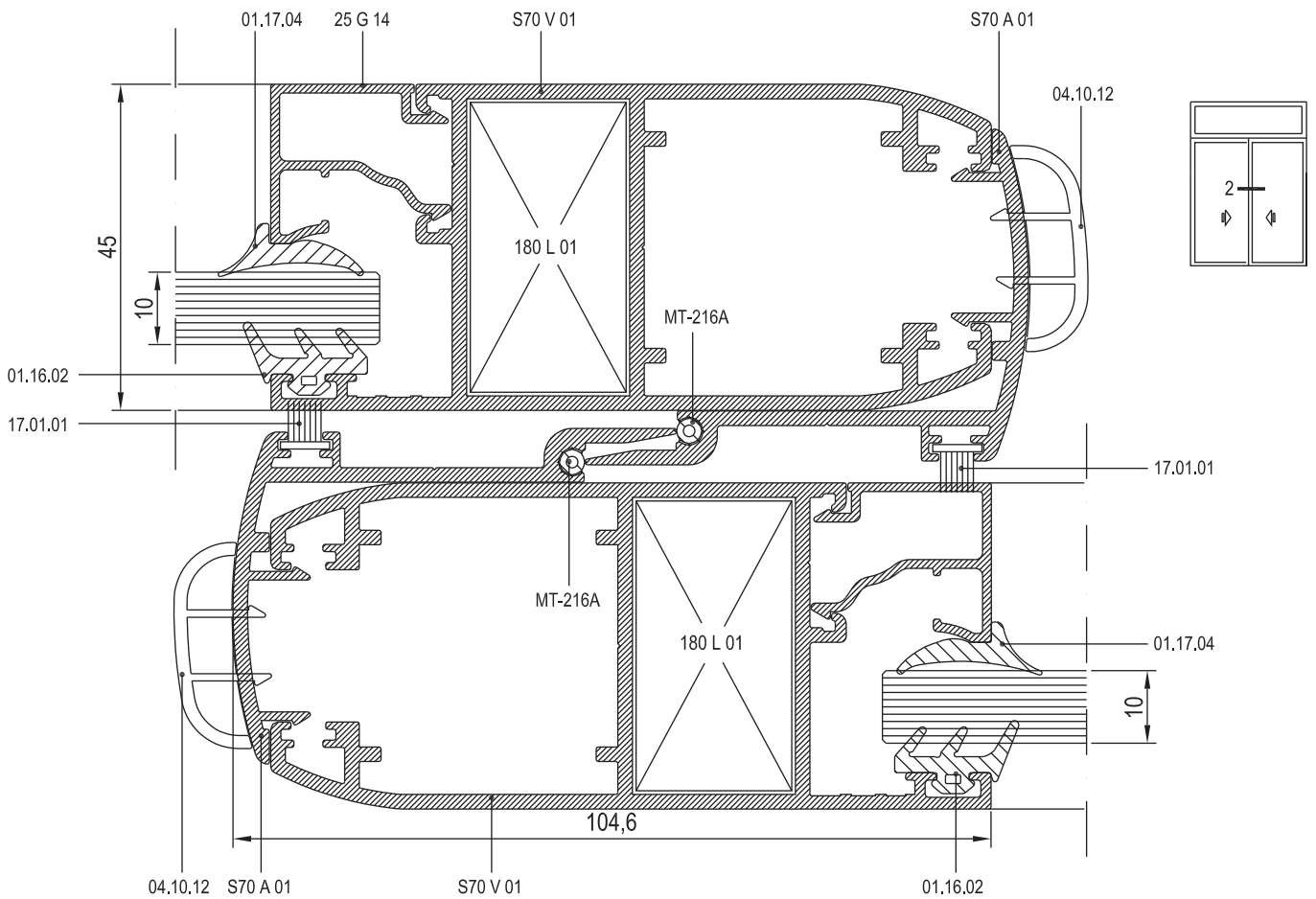
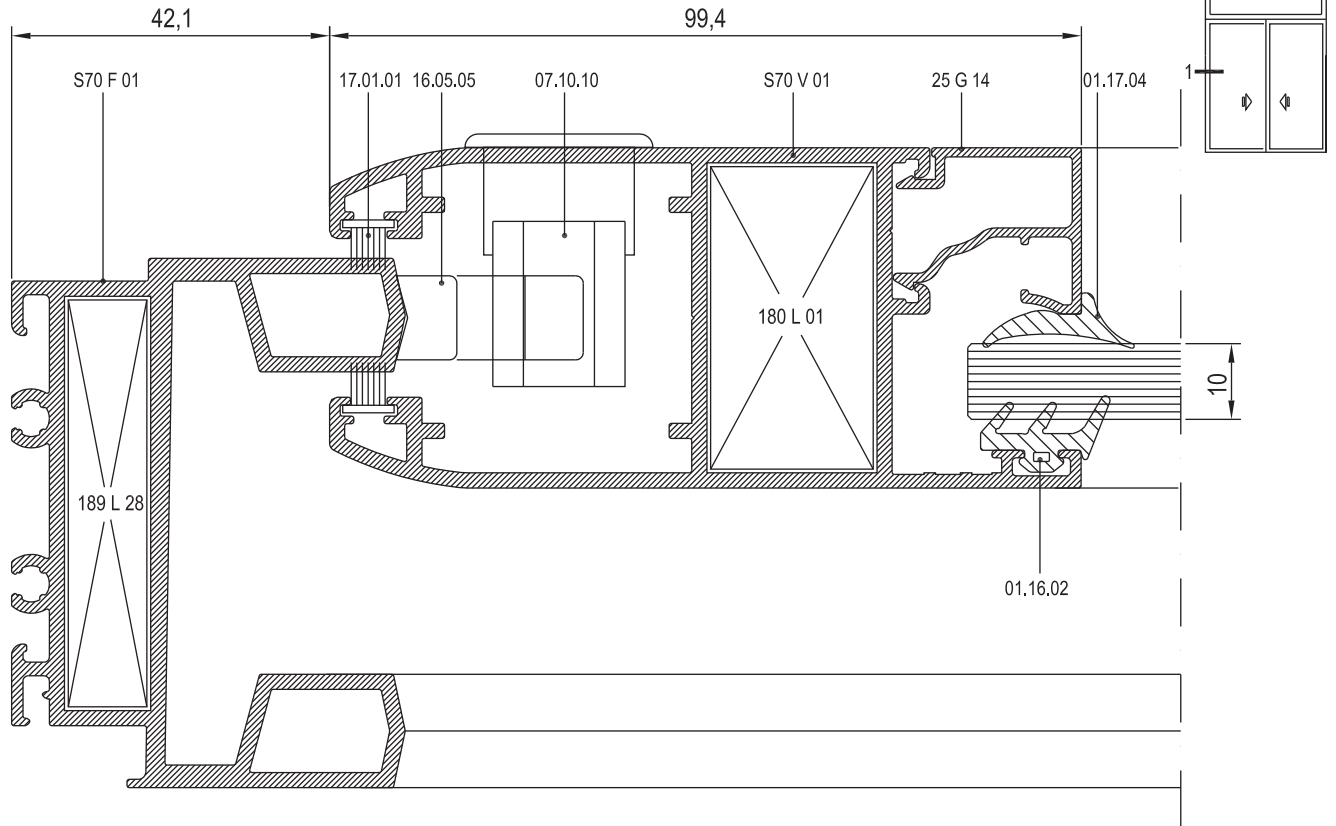
26

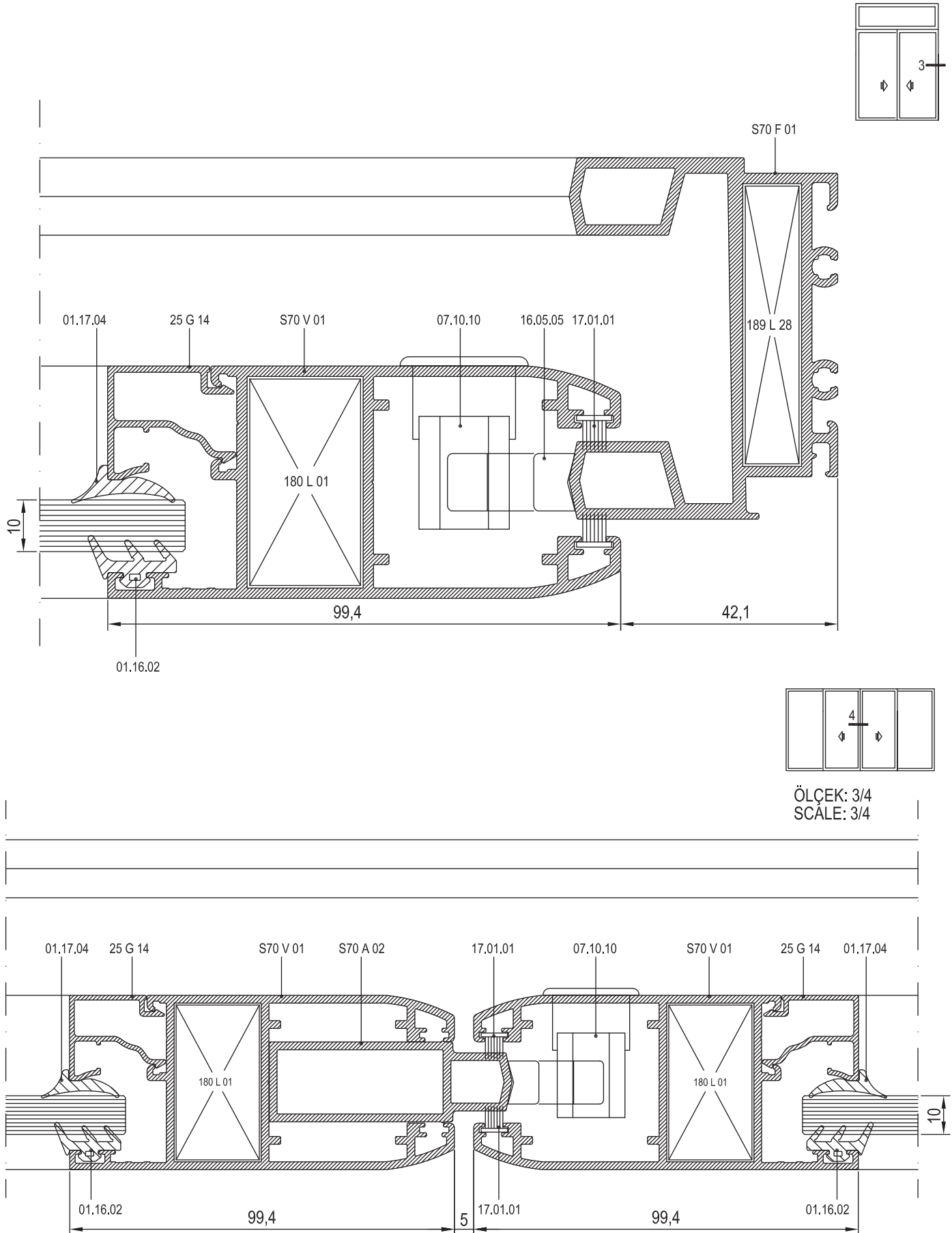
27

28

29

30







21

22

23

24

25

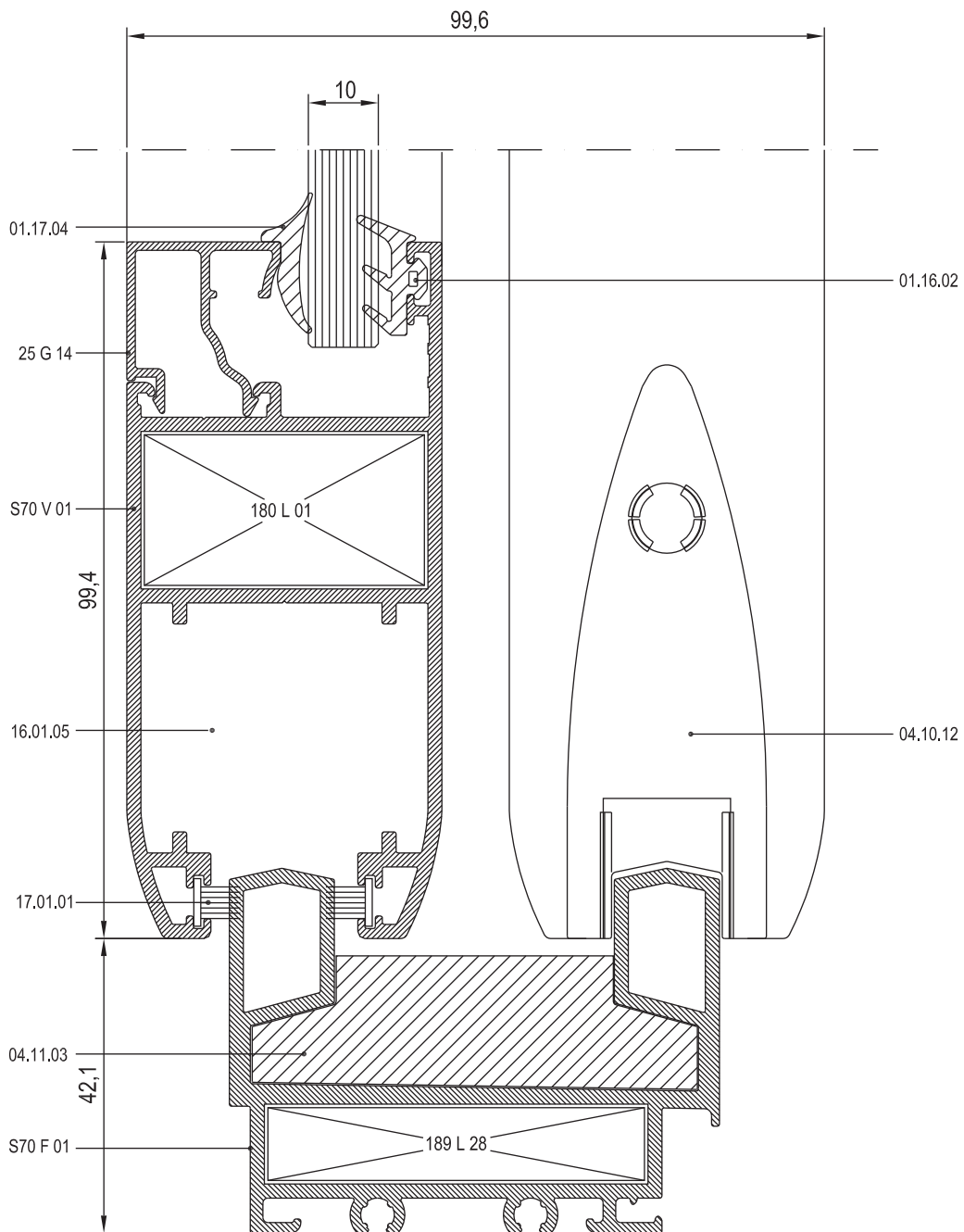
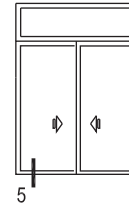
26

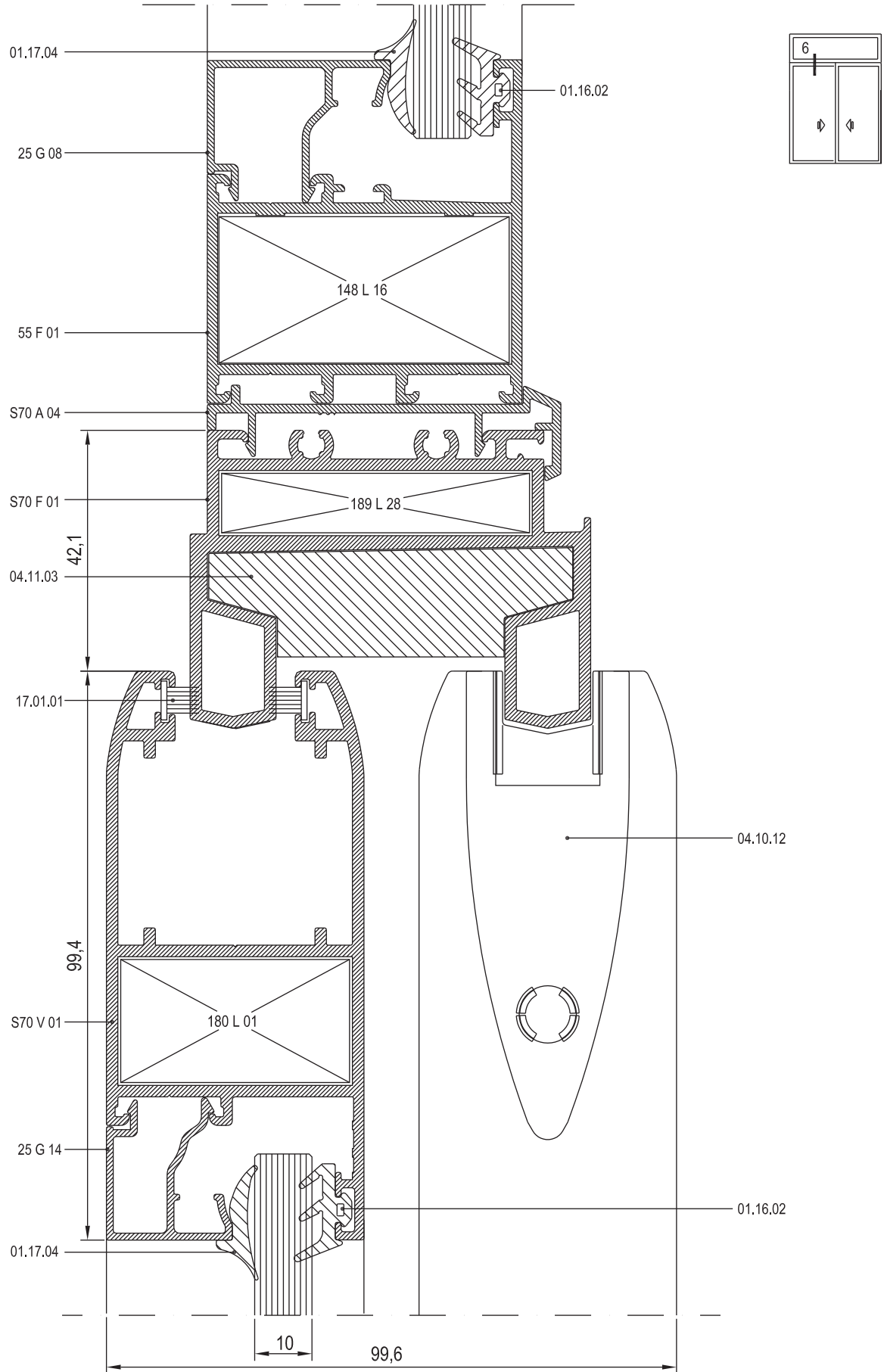
27

28

29

30





21

22

23

24

25

26

27

28

29

30



21

22

23

24

25

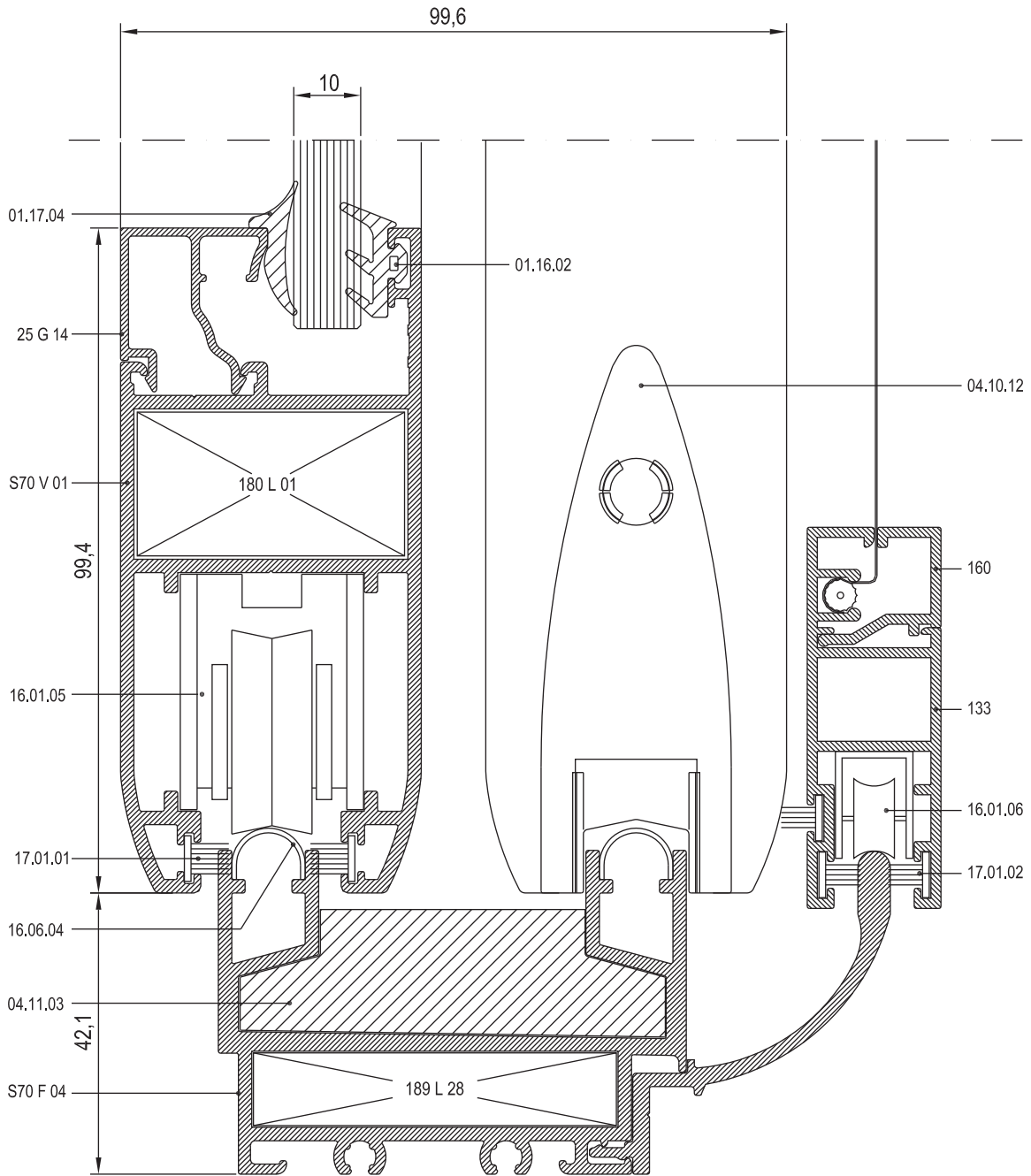
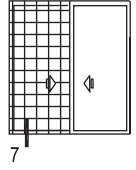
26

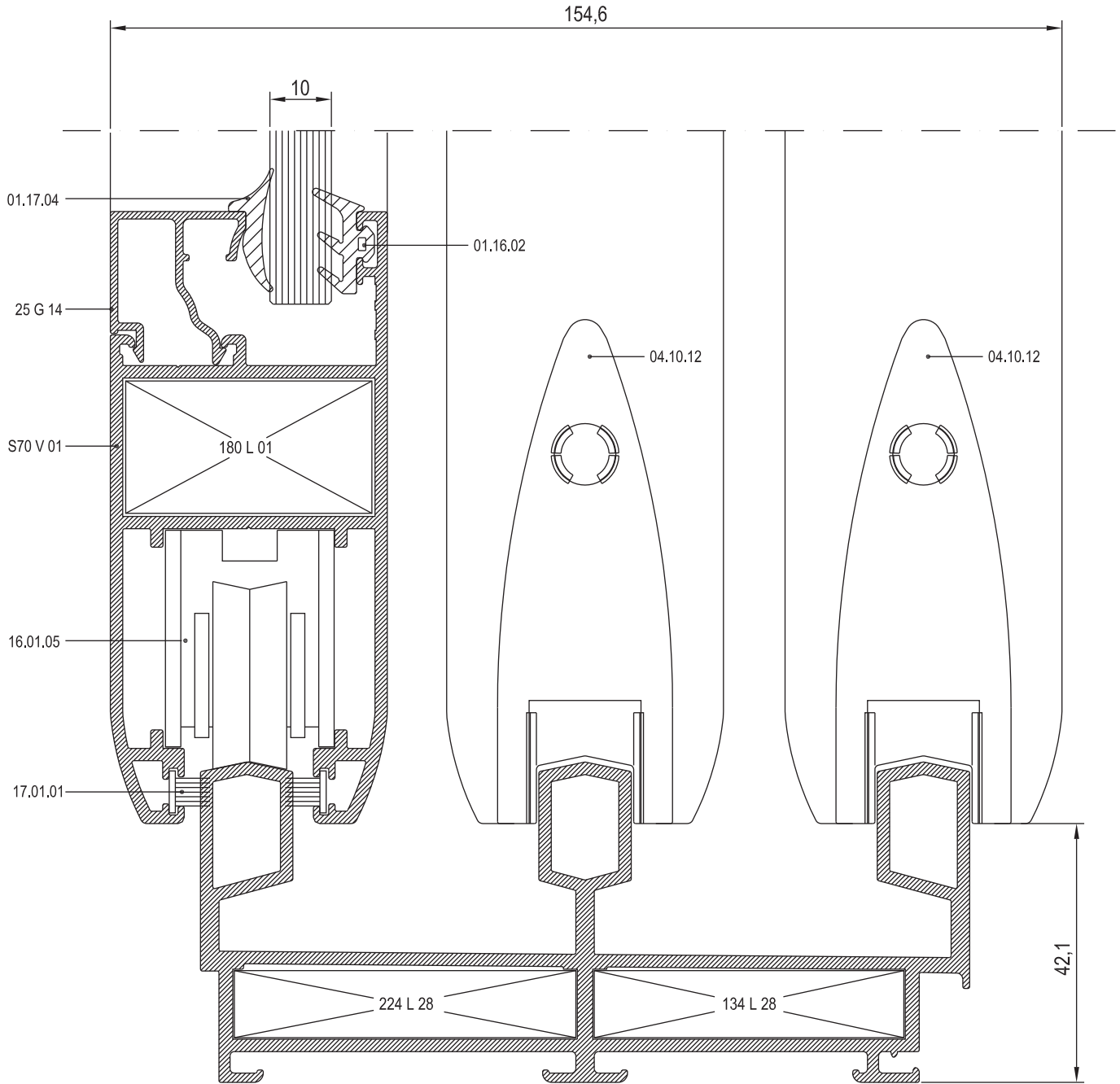
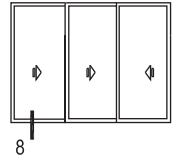
27

28

29

30





21

22

23

24

25

26

27

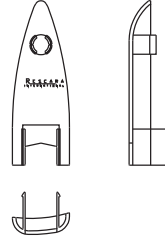
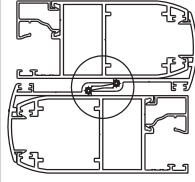
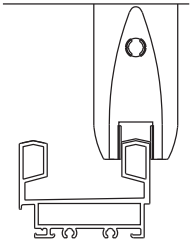
28

29

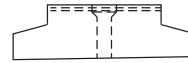
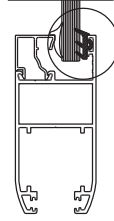
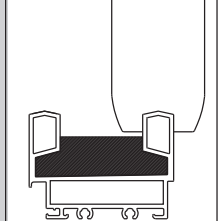
30



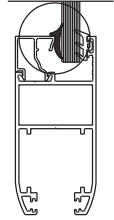
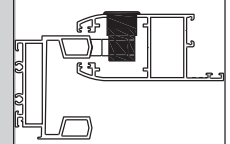
21

**MT-216A**KENET FİTİLİ
CONNECTION GASKET
EPDM**04.10.12**PVC KANAT KAPAĞI
PVC CAP
EPDM

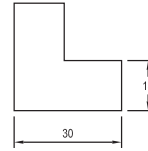
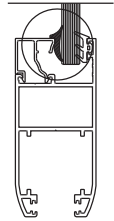
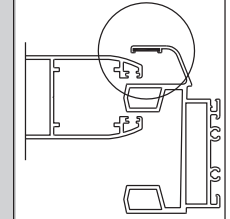
22

**01.16.02**DIŞ CAM FİTİLİ
GLAZING GASKET (OUTSIDE)
EPDM
90 gr/m**04.11.03**TOZLUK PARÇASI
SEALING PART
PVC

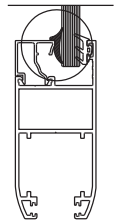
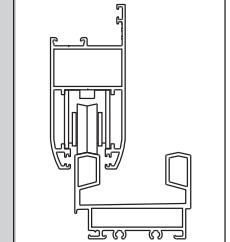
23

**01.17.03**İÇ CAM FİTİLİ
GLAZING GASKET (INSIDE)
EPDM
46 gr/m**07.10.10**SÜRME KİLİT
SLIDING LOCK

24

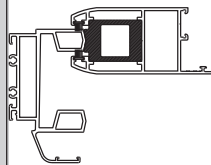
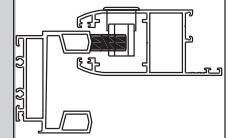
**01.17.04**İÇ CAM FİTİLİ
GLAZING GASKET (INSIDE)
EPDM
55 gr/m**10.04.09**KÖŞE ÇAVUŞU
CORNER PIECE

25

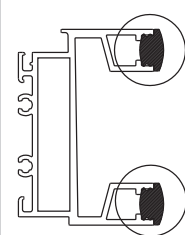
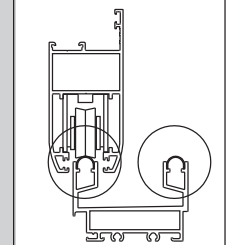
**01.17.05**İÇ CAM FİTİLİ
GLAZING GASKET (INSIDE)
EPDM
60 gr/m**16.01.05**AYARLI ÇİFTLİ RULMAN
ADJUSTABLE BEARING

26

28


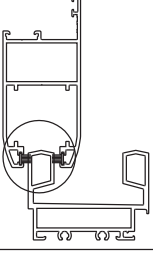

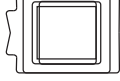
**01.18.15**STOPER
STOPPER
EPDM**16.05.05**SÜRME KİLİT ADAPTÖRÜ
LOCK ADAPTER

29

**01.19.18**RAY FİTİLİ
RAIL GASKET
EPDM
127 gr/m**16.06.04**ÇELİK RAY
STEEL RAIL PROFILE

30



| | | | | | |
|---|--|--|--|--|--|
|  | 17.01.01 KIL FİTİL BRUSH |  | | | |
|  | 19.01.05 STOPER KAPAĞI STOPPER CAP |  01.18.15 İÇİN FOR 01.18.15 | | | |
| | | | | | |
| | | | | | |
| | | | | | |
| | | | | | |
| | | | | | |
| | | | | | |
| | | | | | |
| | | | | | |

21

22

23

24

25

26

27

28

29

30

RESCARA SİSTEM

Alüminyum Kapı Pencere ve
Giydirme Cephe Sistemleri



21

22

23

24

25

26

27

28

29

30